

Hustler Diesel Z CE Parts Manual



HUSTLER®



Hustler Turf Equipment



P.O. Box 7000



Hesston, Kansas



67062-2097

Table of Contents

Chapter 1	
General Information	1-1
Chapter 2	
Rivet Nut Installation	2-2
Footrest Assembly	2-3
Chapter 3	
Hydraulic System Installation	3-2
Chapter 4	
Battery Installation.	4-2
Deck Lift Assembly	4-4
Steering and Park Brake Assembly	4-6
Steering Sub-Assembly.	4-8
Pump Belt and Pulleys Installation	4-10
Chapter 5	
Yanmar Engine Installation	5-2
Cooling and Engine Guard Assembly	5-4
Fuel System Installation	5-8
Instrument Panel Assembly	5-10
Electrical Schematic (798546)	5-12
Chapter 6	
Front Wheel Assembly	6-2
Front Wheel Breakdown—747782	6-4
Optional Semi-Pneumatic Tire/Wheel—789537	6-5
Drive Wheel Assembly Installation	6-6
Anti-Rollover Wheel Assembly	6-7
Chapter 7	
54" Side Discharge Deck Assembly (XR-7™)	7-2
54" Side Discharge Deck Pulley Assembly (XR-7™)	7-4
54" Rear Discharge Deck Assembly	7-6
54" Rear Discharge Deck Pulley Assembly	7-8
Spindle Assembly—796235	7-10
Spindle Assembly—796680	7-11
Chapter 8	
Deck Installation—Side Discharge	8-2
Deck Installation—Rear Discharge	8-4
54" Side Discharge (XR7) Deck Belt Routing and Tensioning	8-6
54" Rear Discharge Deck Belt Routing and Tensioning	8-7
Seat Installation.	8-8
Chapter 9	
Tractor Decals.	9-2
54" Side Discharge Deck Decals	9-4
54" Rear Discharge Deck Decals	9-5

Chapter 1

General Information

This Manual covers Hustler XR7 Z models **928101CE** and **928119CE**.

Frequently Ordered Parts

PART NO.	DESCRIPTION
768341	Hydraulic Oil Filter
788794	Pump Drive Belt
797696	Blade F18.50"-H-F-CW (54" Side Discharge Deck)
601012	Blade F18.50"-L-F-CW (54" Rear Discharge Deck)
601013	Blade F18.50"-L-F-CCW (54" Rear Discharge Deck)
600929	Belt, B-Section (54" Side Discharge Deck)
795781	Belt, B-Section (54" Rear Discharge Deck)
600361	Fuel Filter
785261	Main Air Filter Element
600353	Engine Oil Filter

Service Literature

PART NO.	DESCRIPTION
601296	Engine Owner's Manual
601297	Engine Owner's Manual CD

Note: When ordering parts, you must use the part number as shown for each part, not the index number. Always give the model and serial number to your parts and service representative.

Note: Items sold in bulk such as seals and hoses are sold by the foot.

Using this manual

Illustrations used were current at the time of printing, but subsequent production changes may cause your machine to vary slightly in detail. Excel Industries, Inc. reserves the right to redesign and change the machine as deemed necessary, without notification. If a change has been made to your machine which is not reflected in this parts manual, see your Hustler dealer for current information and parts.

Hardware Description Codes & Abbreviations

The following codes are used throughout this parts manual. Refer to this list when ordering parts.

ABBREVIATION	DESCRIPTION
CB	Carriage Bolt
CE	Clevis Pin
CP	Cotter Pin
CS	Cap Screw
CW	Cup Washer
FDRW	Fender Washer
FW	Flat Washer
HX	Hex Head
LW	Lock Washer
MB	Machine Bushing
MS	Machine Screw
NT	Nut
SC	Self Tapping Cap Screw
SH	Socket Head
SB	Shoulder Bolt
SS	Set Screw
OD	Outside Diameter
ID	Inside Diameter

Standard Torques

The following chart lists the standard torque values for the threaded fasteners found in this manual. Torque all cap screws, nuts and set screws to these values unless a different torque is shown in the Notes section next to the fastener.

SIZE	FT-LBS	NM	SIZE	FT-LBS	NM
.250	8.2	11.1	M3	1	1.3
.312	17	23	M4	2.2	3
.375	30	40	M5	4.5	6.1
.438	48	65	M6	7.7	10.4
.500	73	99	M8	18.5	25
.562	105	143	M10	37	50
.625	145	200	M12	64	87
.750	260	350	M14	80	108.5
.875	420	565	M16	160	215
1.00	625	850	M20	320	435
			M24	555	750

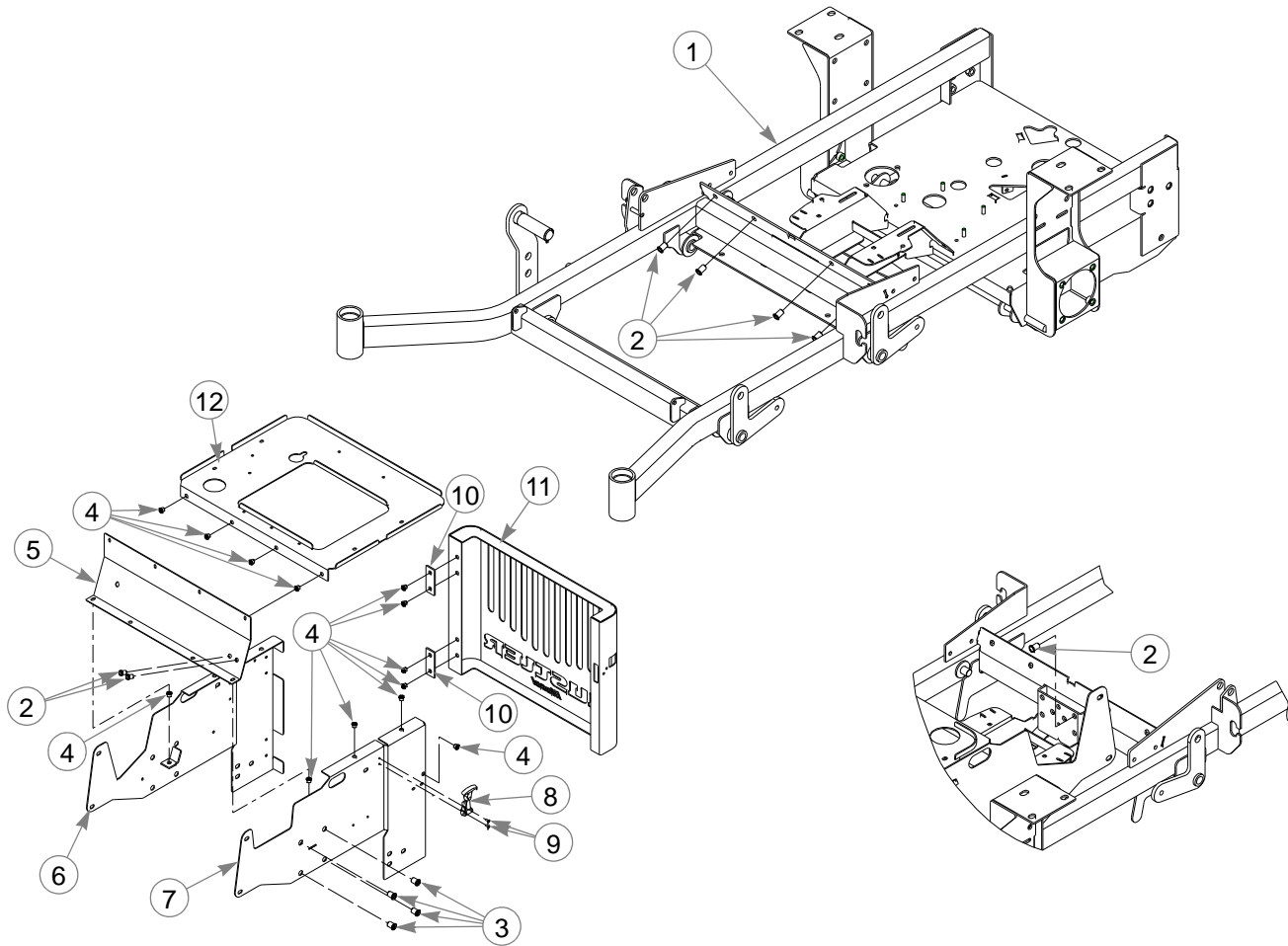
NOTE:

**Loctite® 592 to be used on all pipe threads.
Lubricate all grease zerks.**

Chapter 2 Contents

Rivet Nut Installation	2-2
Footrest Assembly	2-3

Rivet Nut Installation

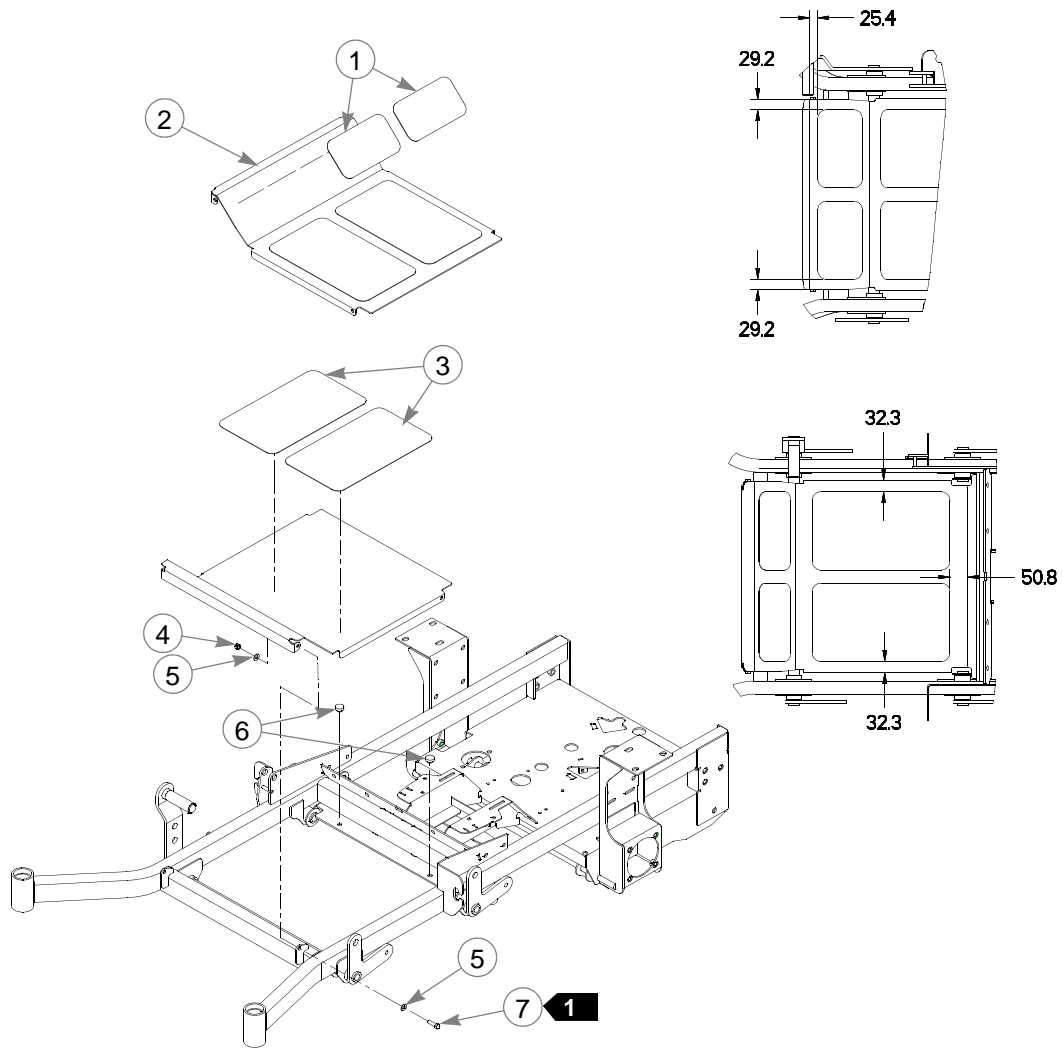


INDEX NO.	SERVICE PART NO.	MFG. PART NO.	QTY.	DESCRIPTION
1	548479CE	101501	1	TRACTOR FRAME (54" SIDE DISCHARGE)
	548487CE	101535	1	TRACTOR FRAME (54" REAR DISCHARGE)
2	808493	808493	12	3/8-16 THREAD RIVET NUT
3	600961	600961	8	1/2-13 THREAD RIVET NUT
4	808485	808485	15	5/16-18 THREAD RIVET NUT
5	548495CE	104703	1	FIREWALL YDZ
6	548503	104661	1	SEAT SUPPORT W/A RS YDZ
7	548511CE	106112	1	SEAT SUPPORT W/A LS YDZ
8	773416	773416	2	FLEX DRAW LATCH
9	601089	601089	4	RIVET .188 DIA BLK HD
10	101733	101733	2	ENGINE GUARD HINGE SPACER
11	548529CE	105007	1	ENGINE GUARD DOOR W/A
12	548537	104851	1	RADIATOR MOUNT PLT

NOTES:

1. Seat support 547950 includes rivet nuts.

Footrest Assembly



INDEX NO.	SERVICE PART NO.	MFG. PART NO.	QTY	DESCRIPTION
1	359547	359547	2	STEP TREAD
2	548610	107788	1	FLOOR
3	785493	785493	2	STEP TREAD LOWER 9.00
4	086660	086660	2	NT .375-16 HX LK NY
5	767954	767954	4	FW .406 X .812 X .060 SAE HD ZN
6	781880	781880	2	RUBBER BUMPER
7	052860	052860	2	CS .375-16 X 1.250 HX G5 ZN

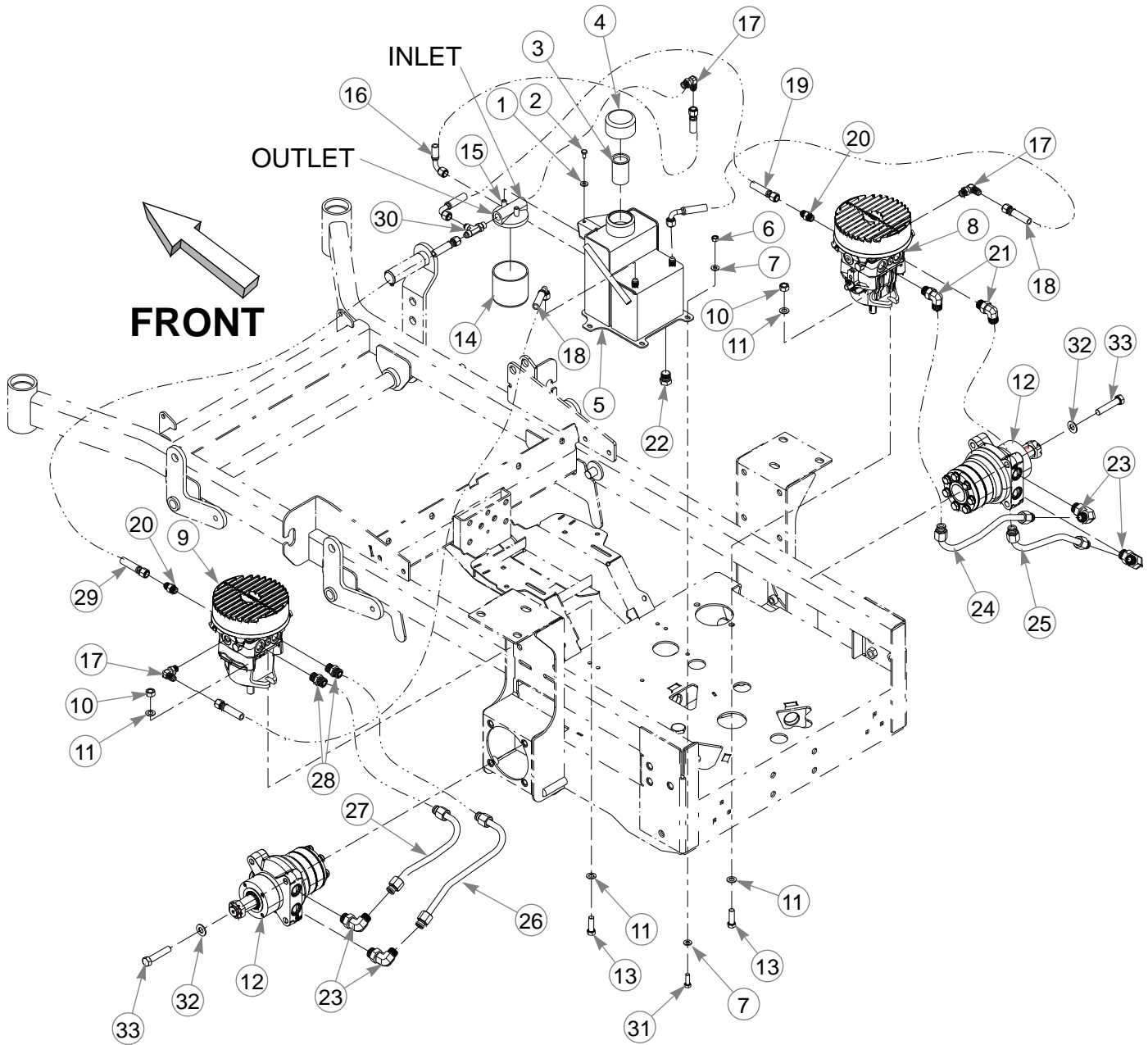
NOTES:

1. Do not tighten, Item 2 (107788 Floor) must be able to pivot on these bolts.
2. Service part number includes item 1 and item 2.

Chapter 3 Contents

Hydraulic System Installation.	3-2
--	-----

Hydraulic System Installation



Hydraulic System Installation

ITEM NO.	SERVICE PART NO.	MFG. PART NO.	QTY	DESCRIPTION
1	768515	768515	2	FW .281 X .625 X .051/.080 HD ZN/YL
2	055947	055947	2	CS .250-20 X .500 HX G5 ZN
3	032771	032771	1	STRAINER
4	032763	032763	1	BREATHER CAP
5	548636CE	349860	1	RESERVOIR
6	034272	034272	4	NT .312-18 HX G5 ZN
7	768523	768523	8	FW .343 X .687 X .051/.080 HD ZN/YL
8	601133	601133	1	HYDRO-GEAR PUMP 12CC W/ FAN RH
9	601134	601134	1	HYDRO-GEAR PUMP 12CC W/ FAN LH
10	041707	041707	4	NT .437-14 HX G5 ZN
11	704742	704742	8	FW .453 X .812 X .060 ZN
12	600922	600922	2	WHEEL MOTOR HGM15E3138 CCW
13	705186	705186	4	CS .437-14 X 1.375 HX G5 ZN
14	768341	768341	1	FILTER ELEMENT
15	768333	768333	1	FILTER HEAD
16	781575	N/A	1	-6STR -6 90°, PUSHLOC HOSE 4.38"
17	763946	N/A	3	90°, -6 O-RING/-6 JIC FITTING
18	601252	N/A	2	CASE DRAIN ASSY YDZ
19	781591	N/A	1	-6STR -6 90°, PUSHLOC HOSE, 15.00"
20	779132	N/A	2	STR-6MORB/-6JIC FITTING
21	781542	N/A	2	90°, -8MORB/-8MSL FITTING
22	781658	N/A	1	STR-8-MORB/HEX PLUG
23	781526	N/A	4	90°, -10MORB/-8MSL FITTING
24	600915	N/A	1	HYDRO TUBE LP-TM RT LOOP
25	781500	N/A	1	RIGHT LOOP/RP-BM HYDRO TUBE
26	781484	N/A	1	HYDRO TUBE RP-BM LT LOOP
27	781476	N/A	1	LEFT LOOP/LP-TM HYDRO TUBE
28	781534	N/A	2	STR-8MORB/-8MSL FITTING
29	781518	N/A	1	-6STR -6STR PUSHLOC HOSE, 9.00"
30	763953	N/A	1	-6 O-RING/-6JIC/6JIC T FITTING
31	036236	036236	4	CS .312-18X1.000 HX G5
32	767962	767962	8	FW .531X 1.063X.090 SAE
33	008573	008573	8	CS .500-13X2.500 HX G5
	N/A	600913	1	HYDRAULIC KIT YDZ (INCLUDES 16-30)

NOTES:

- Hydraulic system capacity is 4.732 L. Fill reservoir to within 25.4 mm of top of Item 3 (032771 Strainer)
- Hydraulic pump serviceable parts include:

SERVICE PART NO.	DESCRIPTION
772756	OVERHAUL BDP1 SEAL KIT
601877	PUMP FAN SHROUD
601878	PUMP FAN KIT
601879	PUMP SHROUD BRACKET

HYDRAULIC SYSTEM CHARGING PROCEDURE

1. Set handles in the neutral position.
2. Start engine at idle.
3. Let run for a minimum of 30 seconds.
4. Stroke handles to forward position.
5. If motors do not turn in 15 seconds return handles to neutral and repeat step 3 and 4 (one time).
6. If motors do not turn after second attempt, shut off the engine and check for oil at the pump.
7. Increase throttle to half speed and work handles through forward and reverse position until the motor operates smoothly throughout the entire speed range.

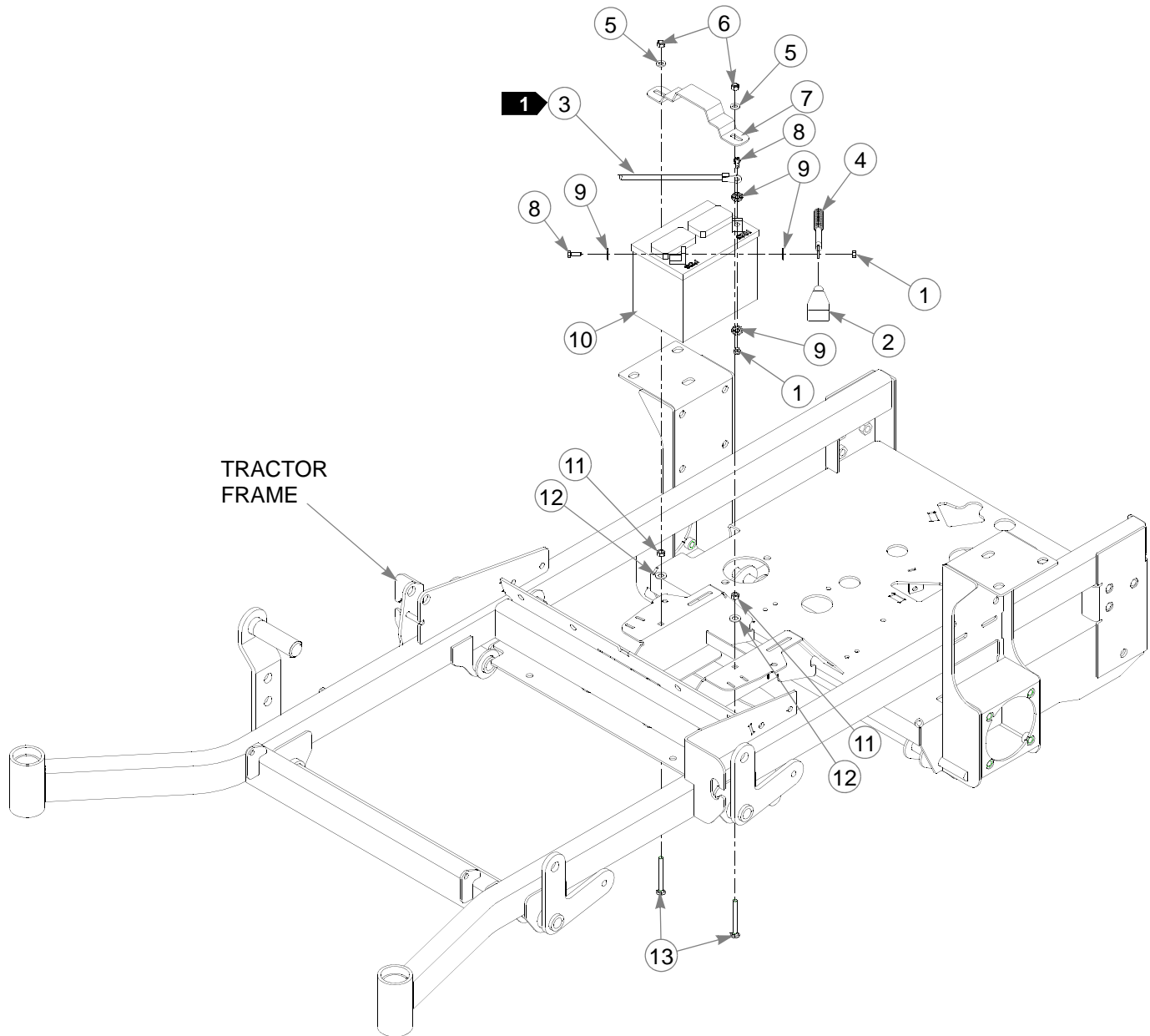
Note:

Seal Kit for hydraulic pump: 780718 (PJ Series Pump Overhaul Seal Kit)

Chapter 4 Contents

Battery Installation	4-2
Deck Lift Assembly	4-4
Steering and Park Brake Assembly	4-6
Steering Sub-Assembly	4-8
Pump Belt and Pulleys Installation	4-10

Battery Installation



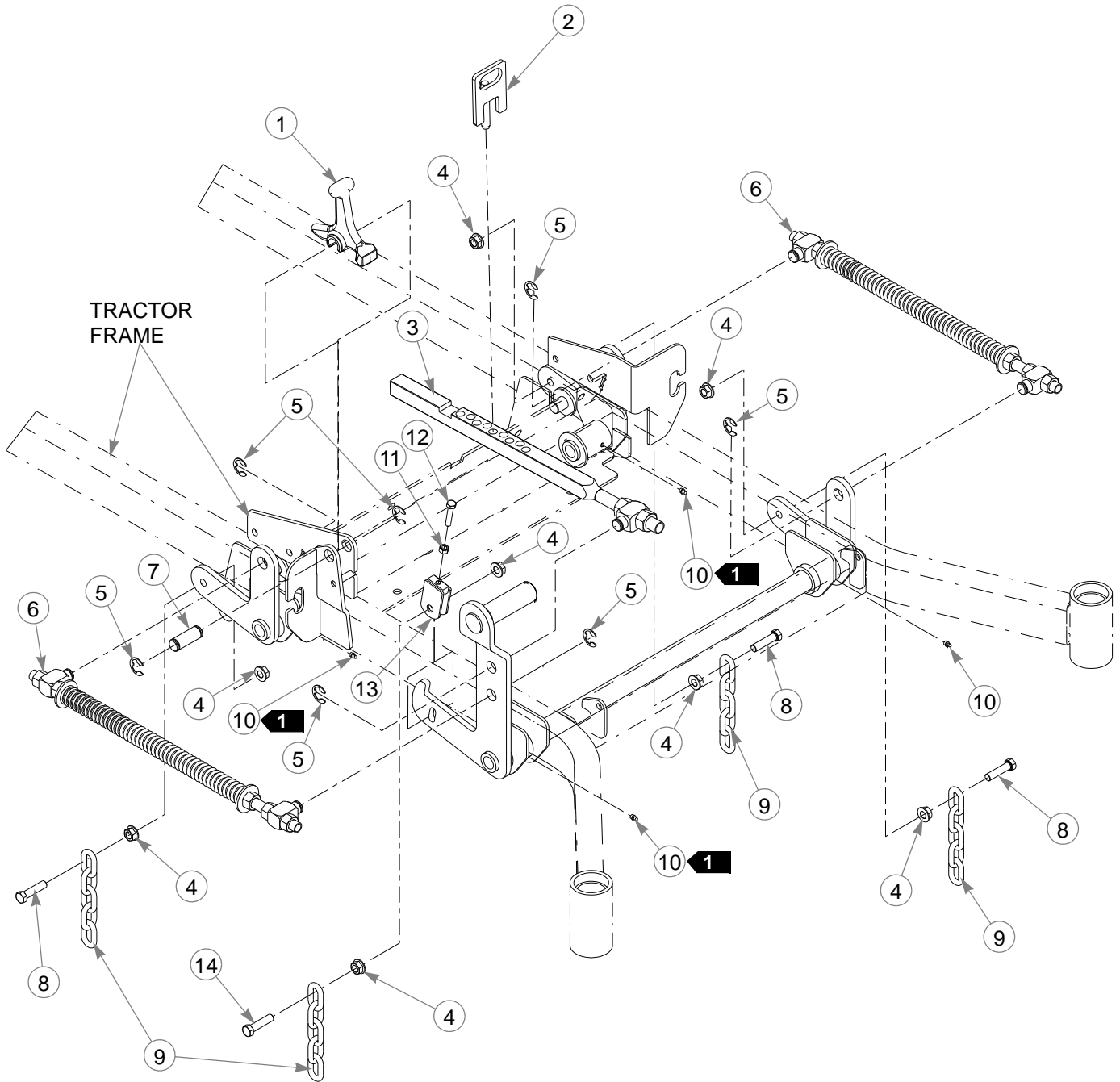
Battery Installation

INDEX NO.	SERVICE PART NO.	MFG. PART NO.	QTY	DESCRIPTION
1	024927	024927	2	NT .250-20 HX GR.5 ZN
2	771428	771428	1	RED BATTERY CABLE BOOT
3	601063	601063	1	26" NEGATIVE BATTERY CABLE
4	744276	744276	1	POSITIVE BATTERY CABLE
5	768523	768523	2	FW .343 X .687 X .051/.080 HD ZN/YL
6	058776	058776	2	NT .312-18 HX NL ZN
7	348417	348417	1	BATTERY CLAMP STRAP
8	055939	055939	2	CS .250-20 X .750 HX G5 ZN
9	029868	029868	4	LW .250 INT-EXT TOOTH ZN
10	600921	600921	1	BATTERY
11	034272	034272	2	NT .312-18 HX G5 ZN
12	767954	767954	2	FW .406X .812 X.060 SAE
13	779850	779850	2	CB .312-18 X 3.00 FUL ZN

NOTES:

1. When performing service on mower, disconnect battery ground cable and do not reconnect to battery until engine is ready to be started. See Owners Manual.
2. Battery is not installed in export models.

Deck Lift Assembly



Deck Lift Assembly

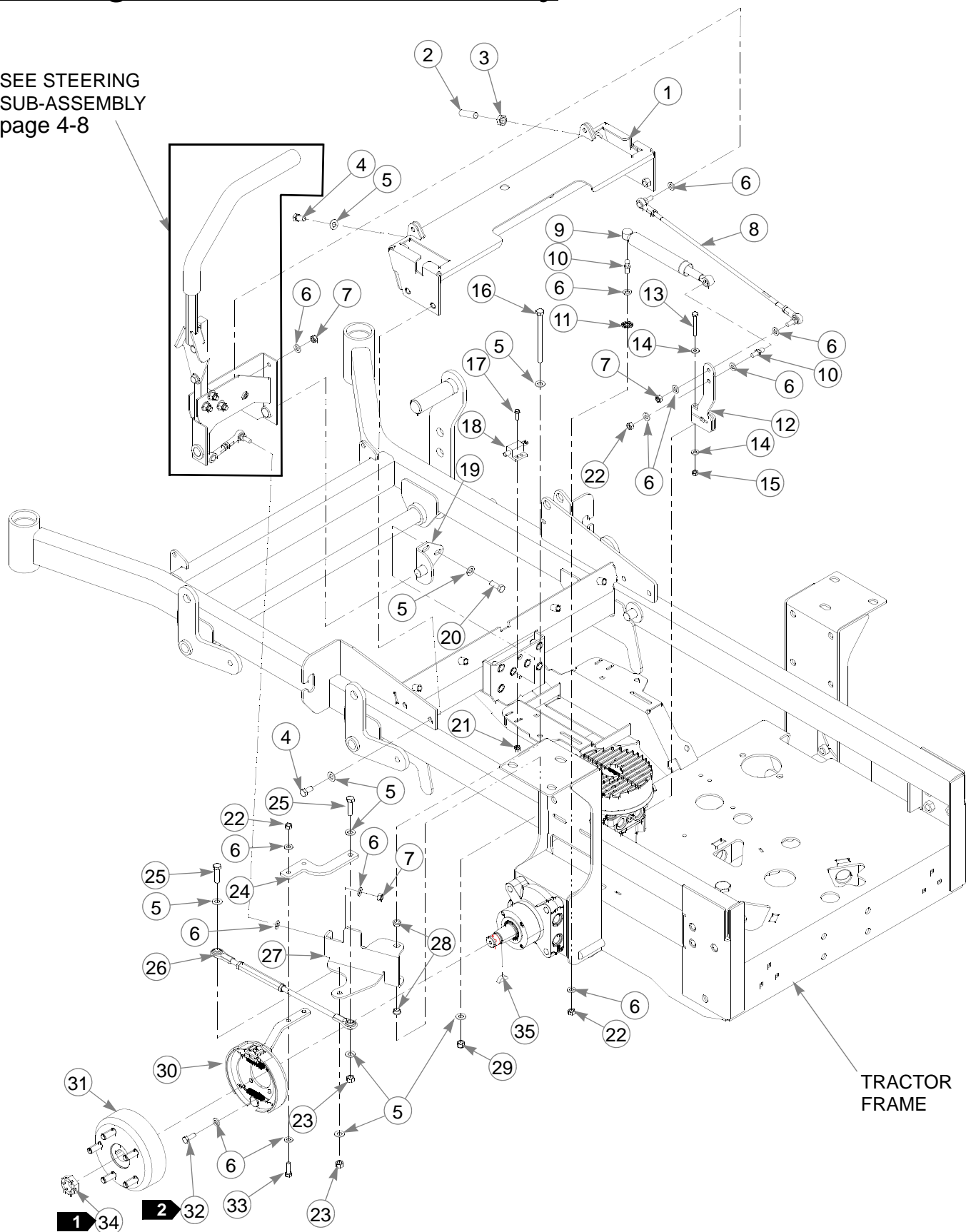
ITEM NO.	SERVICE PART NO.	MFG. PART NO.	QTY	DESCRIPTION
1	348318	348318	1	STOP HANDLE
2	600437	600437	1	DECK HEIGHT 1/2" PIN W/A
3	783001	783001	1	DECK LIFT INDICATOR SUBASSEMBLY
4	704643	704643	8	NT .437-14 HX FLG ZN
5	781294	781294	7	CLIP E, 1.00 X .625 X .050
6	782995	782995	2	DECK LIFT SPRING SUBASSEMBLY
7	781229	781229	1	CE .750 X 2.25 X 1.75 HEADLESS
8	055749	055749	3	CS .437-14 X 1.750 HX G5 ZN
9	348391	018846	4	DECK LIFT CHAIN
10	015495	015495	4	STRAIGHT GREASE FITTING
11	034272	034272	1	NT .312-18 HX G5 ZN
12	756270	756270	1	CS .312-18 X 1.50 FUL THR GR5 ZN
13	348458	348458	1	DECK LEVELER YOKE
14	781831	781831	1	CS .437-14 X 1.750 FUL THD G5 ZN

NOTES:

1. Apply grease to zerks (see owner's manual).

Steering and Park Brake Assembly

SEE STEERING
SUB-ASSEMBLY
page 4-8



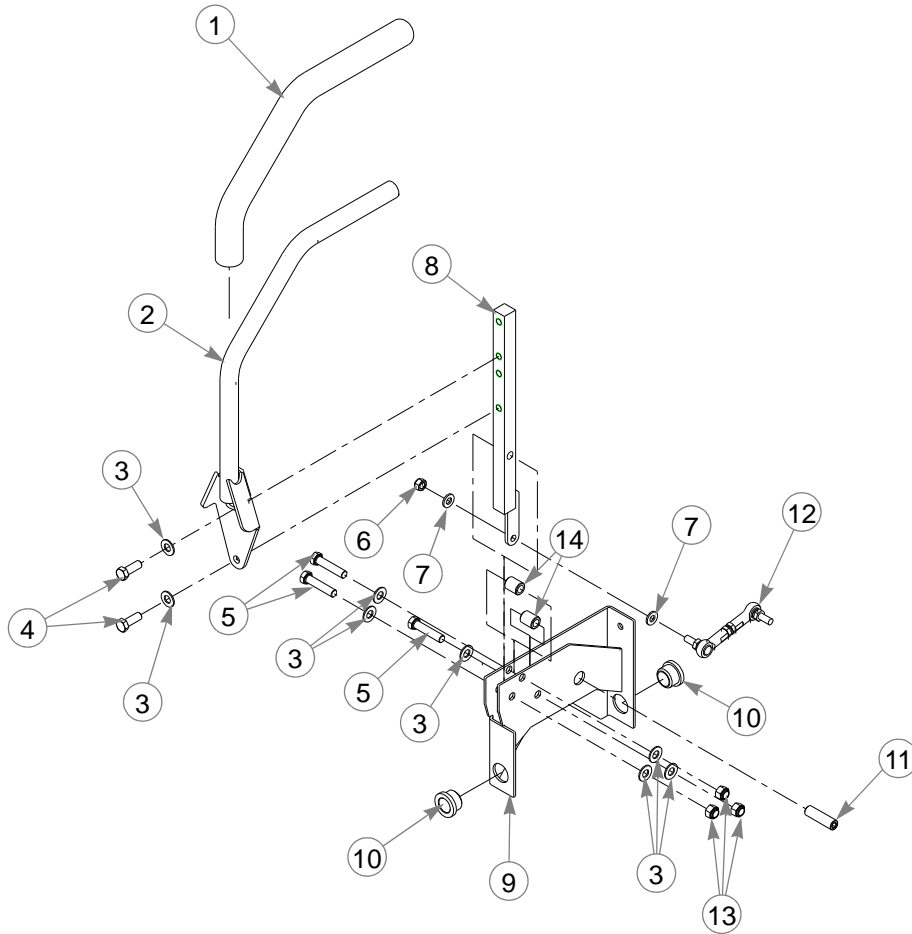
Steering and Park Brake Assembly

ITEM NO.	SERVICE PART NO.	MFG. PART NO.	QTY	DESCRIPTION
1	348987	348987	1	STEERING CONTROL PANEL
2	781716	781716	2	SS .500-13 X 1.75 SH ZN
3	053199	053199	2	NT .500-13 HX JAM ZN
4	055822	055822	8	CS .375-16 X .750 HX G5 ZN
5	767954	767954	26	FW .406 X .812 X .060 SAE HD ZN
6	768523	768523	34	FW .343X .687 X .051/.080 HD ZN/YL
7	023655	023655	6	NT .312-24 HXZY NL
8	781286	781286	2	PUMP ROD ADJUSTER ASSEMBLY
9	600221	600221	2	CENTERING DAMPER
10	781922	781922	4	DAMPER BALL STUD
11	029876	029876	2	LW .312 INT-EXT TOOTH Z
12	367557	367557	2	PUMP ARM
13	704163	704163	2	CS .250-20 X 2.00 HX G5 ZN
14	768515	768515	4	FW .281 X .625 X .051/.080 HD ZN/YL
15	068551	068551	2	NT .250-20 HX NL ZN
16	782979	782979	2	CS .375-16 X 4.75 HX G5 ZN
17	063198	063198	4	CS 10-24 X .750 HXFLK ZN
18	781211	781211	2	PUSH BUTTON SWITCH
19	348797	348797	2	ADJUSTABLE PIVOT
20	036244	036244	6	CS .375-16 X 1.000 HX G5 ZN
21	059832	059832	4	NT #10-24 HX NL ZN
22	034272	034272	8	NT .312-18 HX G5 ZN
23	054502	054502	4	NT .375-16 HX GRD 5 ZN
24	101766	101766	2	BRAKE ARM EXTENSION
25	005116	005116	4	CS .375-16 X 1.375 HX G5 ZN
26	350397	350397	2	BRAKE LINK TURNBUCKLE
27	350330	350330	1	L.S. BRAKE PIVOT ARM
	350264	350264	1	R.S. BRAKE PIVOT ARM
28	765339	765339	4	BUSHING
29	086660	086660	2	NT .375-16 HX LK NY
3	600925	600925	1	BRAKE ASSY LH
4	600924	600924	1	BRAKE ASSY RH
31	600923	600923	2	WHEEL HUB
32	064014	064014	8	CS .312-18X .875 HX G5
33	036236	036236	4	CS .312-18 X 1.000 HX G5 ZN
34	601289	N/A	2	NUT HG MOTOR 15E
35	601290	N/A	2	KEY HG MOTOR 15E

NOTES:

1. Torque to 203.4-271.2 N-m. Included with wheel motor.
2. Torque brake assembly mounting bolts to 23 N-m.
3. 600925 used on left wheel.
4. 600924 used on right wheel.

Steering Sub-Assembly



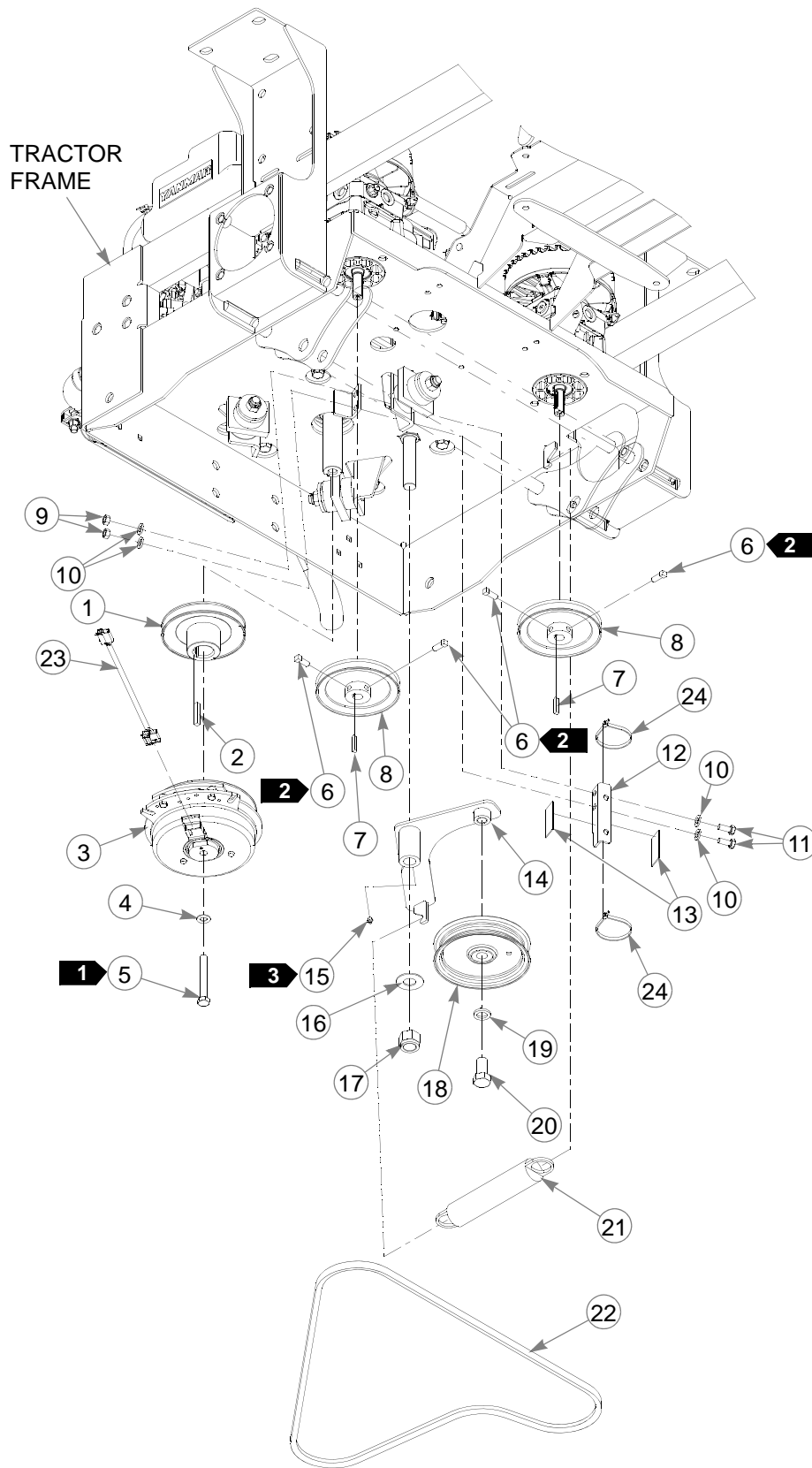
INDEX NO.	SERVICE PART NO.	MFG. PART NO.	QTY.	DESCRIPTION
1	781260	N/A	2	STEERING BAR GRIP
1	348755	348755	2	STEERING BAR
3	767954	767954	16	FW .406 X .812 X .060 SAE HD ZN
4	036244	036244	4	CS .375-16 X 1.000 HX G5 ZN
5	705178	705178	6	CS .375-16 X 1.750 HX G5 ZN
6	023655	023655	2	NT .312-24 HXZY NL
7	768523	768523	4	FW .343X .687 X .051/.080 HD ZN/YL
8	348946	348946	2	STEERING ARM MOUNT
9	348888	348888	1	STEERLEVER SUPPORT LH (SHOWN)
	348714	348714	1	STEERLEVER SUPPORT RH
10	781153	781153	4	BUSHING
11	781716	781716	2	SS .500-13 X 1.75 SH ZN
12	781583	781583	2	BRAKE ROD ASSEMBLY
13	086660	086660	6	NT .375-16 HX LK NY
14	348862	348862	4	STEERLEVER BUSHING

NOTES:

1. Includes Item 1 (781260 Steering Bar Grip).

This page intentionally left blank.

Pump Belt and Pulleys Installation



Pump Belt and Pulleys Installation

INDEX NO.	SERVICE PART NO.	MFG. PART NO.	QTY	DESCRIPTION
1	600912	600912	1	PULLEY PUMP DRV 5.00"
2	212076	212076	1	KEY 1/4 SQ X 1.50 LONG
3	601311	601311	1	WARNER CLUTCH
4	767954	767954	1	FW .406X .812 X.060 SAE
5	600395	600395	1	CS M10-1.50X80 HX ZNYC
6	083196	083196	4	SS .312-18 X .750 SQ-HD ZN
7	768127	768127	2	KEY 5MM X 30MM RADIUS ENDS
8	768705	768705	2	PULLEY
9	034272	034272	2	NT .312-18 HX G5 ZNYC
10	768523	768523	4	FW .343 X .687 X .051/.080 HD ZNYC
11	034280	034280	2	CS .312-18X .750 HX G5
12	101782	101782	1	CLUTCH SECURING BRACKET
13	784918	784918	2	RUBBER BUMPER
14	101691	101691	1	TENSIONER ARM W/A YANMAR
15	015495	015495	1	STRAIGHT GREASE FITTING
16	025296	025296	1	FW .760 X 1.625 X .08 ZN
17	061101	061101	1	NT .750-10 HX NL ZN
18	781856	781856	1	IDLER PULLEY
19	028118	028118	1	FW .62 X 1.00 X.134 ZN
20	781872	781872	1	CS .625-11X1.25 HX G5 Z
21	781302	781302	1	IDLER SPRING
22	788794	788794	1	BELT A 64" EL
23	791251	791251	1	HARNESS, CLUTCH PIGTAIL(DIODE)
24	000331	000331	2	WIRE TIE, SMALL/SHORT

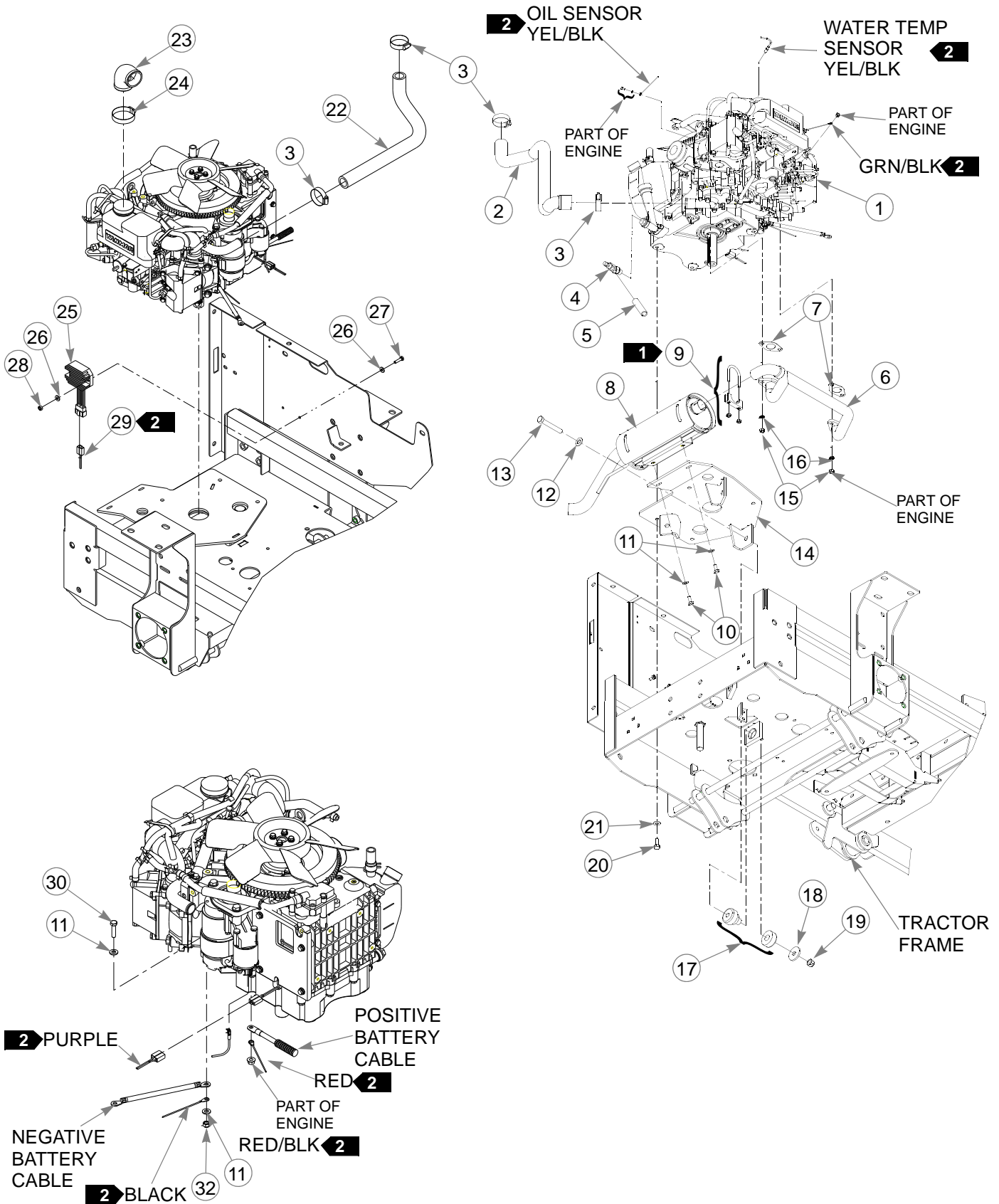
NOTES:

1. Torque to 61.0-65..1 N-m.
2. Torque to 16.3-20.3 N-m.
3. Apply grease at zerk (see owner's manual).
4. **Electric clutch burnishing procedure:** After installing a new clutch it is important to burnish the clutch to insure maximum deck clutch life. In an open area with no bystanders set the engine speed to half throttle. Cycle the deck clutch on for 15 seconds, and then off for 15 seconds. Repeat this operation 10 times, it will require about 5 minutes to complete.

Chapter 5 Contents

Yanmar Engine Installation	5-2
Cooling and Engine Guard Assembly	5-4
Fuel System Installation.	5-8
Instrument Panel Assembly.	5-10
Electrical Schematic (798546).	5-12

Yanmar Engine Installation



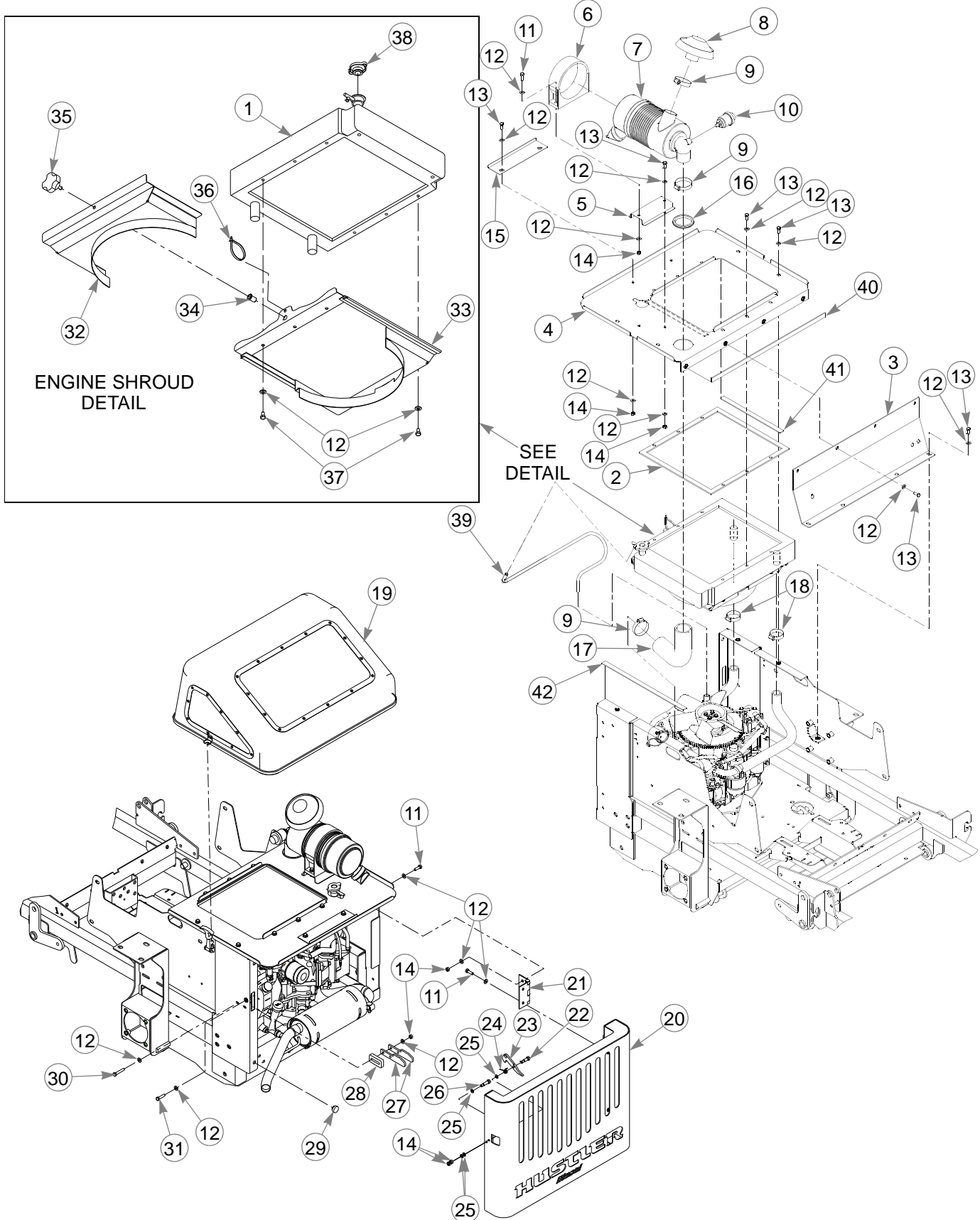
Yanmar Engine Installation

ITEM NO.	SERVICE PART NO.	MFG. PART NO.	QTY	DESCRIPTION
1	796854	796854	1	YANMAR 2V750CVXL ENGINE
2	798389	798389	1	RAD. REAR HOSE YANMAR
3	713040	713040	4	HOSE CLAMP
4	791608	791608	1	OIL DRAIN VALVE M16X1.5
5	787713	787713	1	0.50" LOW PRESSURE HOSE
6	798520	798520	1	EXHAUST MANIFOLD YANMAR
7	798553	N/A	2	EXHAUST GASKET YANMAR
8	798538	798538	1	EXHAUST MUFFLER YANMAR
9	794172	794172	1	MUFFLER CLAMP 1.375"
10	034280	034280	2	CS .312-18X .750 HX G5
11	768523	768523	3	FW .343X.687X.051/.080H
12	767962	767962	3	FW .531X 1.063X.090 SAE
13	077859	077859	3	CS .500-13X3.250 HX G5
14	101642	101642	1	MOTOR MOUNT W/A YANMAR
15	782664	N/A	4	NT M8-1.25 HX STAINLESS
16	017004	N/A	4	LW .312 MED SPRING ZNYC
17	600338	600338	3	ENGINE MOUNT ISOLATOR
18	078386	078386	3	FW .510X 1.750X.18 ZNYC
19	781567	781567	3	NT .500-13 H8ZY NL
5	038836	038836	4	CS M10-1.50X25 HX ZN
21	767954	767954	4	FW .406X .812 X.060 SAE
22	798397	798397	1	RAD. HOSE FRONT YANMAR
23	798413	798413	1	AIR INTAKE ELBOW YANMAR
24	057661	057661	1	HOSE CLAMP (FS)
25	798850	N/A	1	RECTIFIER YDZ
26	768515	768515	4	FW .281X.625X.051/.080H
27	056077	056077	2	CS .250-20X1.000 HX G5
28	024927	024927	2	NT .250-20 HX GR.5 ZNYC
29	798546	798546	1	WIRE HARNESS
30	079186	079186	1	CS .312-18X1.250 HX G5
31	058776	058776	1	NT .312-18 HXZY NL

NOTES:

1. Includes mounting hardware.
2. Part of Item 29 (798546 Wire Harness).
3. Engine oil capacity; .
4. CE engine RPM to be set at 2400±50 (928101CE) and 2550±50 (928119CE).
5. Torque to 54.2 N-m

Cooling and Engine Guard Assembly



Cooling and Engine Guard Assembly

ITEM NO.	SERVICE PART NO.	MFG. PART NO.	QTY	DESCRIPTION
1	798876	798876	1	RADIATOR YANMAR HZ
2	600920	600920	1	SEAL RADIATOR YANMAR
3	548495	N/A	1	FIREWALL YDZ
4	548537	N/A	1	RADIATOR SUPPORT W/A
5	107747	107747	1	SPACER AIR CLEANER YDZ
6	785741	785741	1	AIR CLEANER BAND MOUNT
7	600911	600911	1	AIR CLEANER
8	786673	786673	1	DONALDSON AIR CLEANER CAP
9	057661	057661	3	HOSE CLAMP
10	795138	795138	1	AIR FILTER INDICATOR
11	036236	036236	10	CS .312-18X1.000 HX G5
12	768523	768523	43	FW .343X.687X.051/.080H
13	034280	034280	20	CS .312-18X .750 HX G5
14	034272	034272	15	NT .312-18 HX G5 ZNYC
15	108883	108883	1	HOOD LOCATOR BRACKET YDZ
16	600928	600928	1	GM 2.5 IDX3.13ODX2.75GD
17	798405	798405	1	AIR INTAKE HOSE YANMAR
18	713040	N/A	2	HOSE CLAMP
19	101725	101725	1	HOOD ASSY
20	548529	N/A	1	ENGINE GUARD DOOR W/A
21	798884	798884	2	ENGINE GUARD HINGE
22	032581	032581	1	SB .375X .750 SH.312-18
23	107786	107786	1	LATCH CATCH YDZ
24	601215	601215	1	TORSION SPRING YANMAR
25	779173	779173	4	FW .312X .562X .06 SPL
26	778522	778522	1	SB .375X1.000 SH.312-18
27	107787	107787	2	LATCH PIN YDZ
28	101758	101758	1	SPACER LATCH KEEPER
29	781880	781880	2	BUMPER .500X 1.00X .31
30	050161	050161	2	CS .312-18X1.750 HX G5
31	079186	079186	1	CS .312-18X1.250 HX G5
32	108807	108807	1	FAN SHROUD SLIDER WA YDZ
2 33	548651	108803	1	FAN SHROUD BASE W/A YDZ
34	808485	808485	1	RIVET NUT, 5/16-18 THREAD
35	792002	792002	1	5/16-18 X 3/4" MALE KNOB
36	000331	000331	1	WIRE TIE, SMALL/SHORT
37	068346	068346	6	CS .312-18X .500 HX G5
38	600320	N/A	1	RADIATOR CAP YDZ
39	791400	791400	1	OVERFLOW HOSE 36"
40	033035	033035	1	WEATHERSTRIP .12 X .75 X 23.75"
41	033035	033035	2	WEATHERSTRIP .12 X .75 X 12.5"
42	033035	033035	2	WEATHERSTRIP .12 X .75 X 17.0"

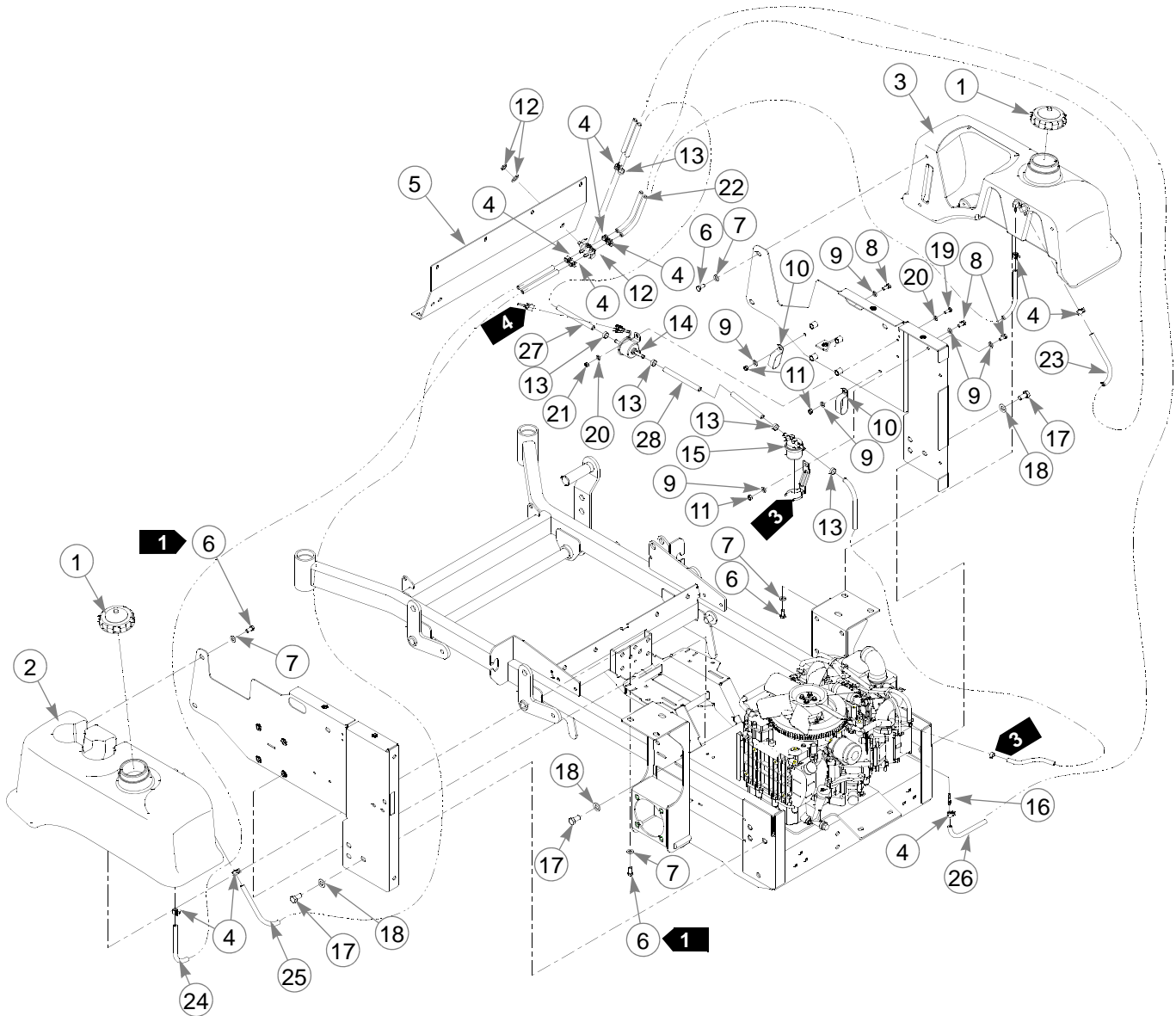
NOTES:

1. Coolant capacity: 4.25 L.
2. Service part number includes item 31 (108803, shroud) and item 32

(808485, rivet nut).

This page intentionally left blank.

Fuel System Installation



Fuel System Installation

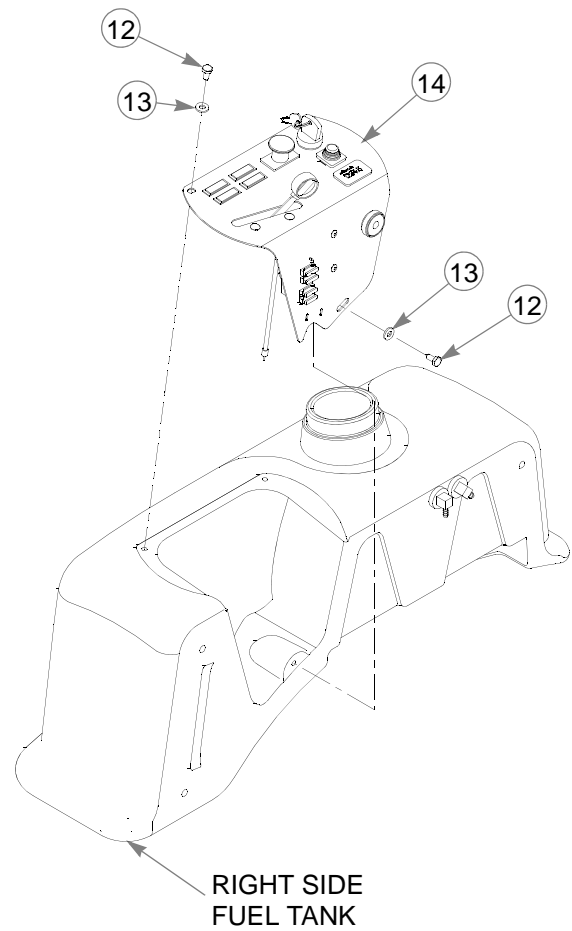
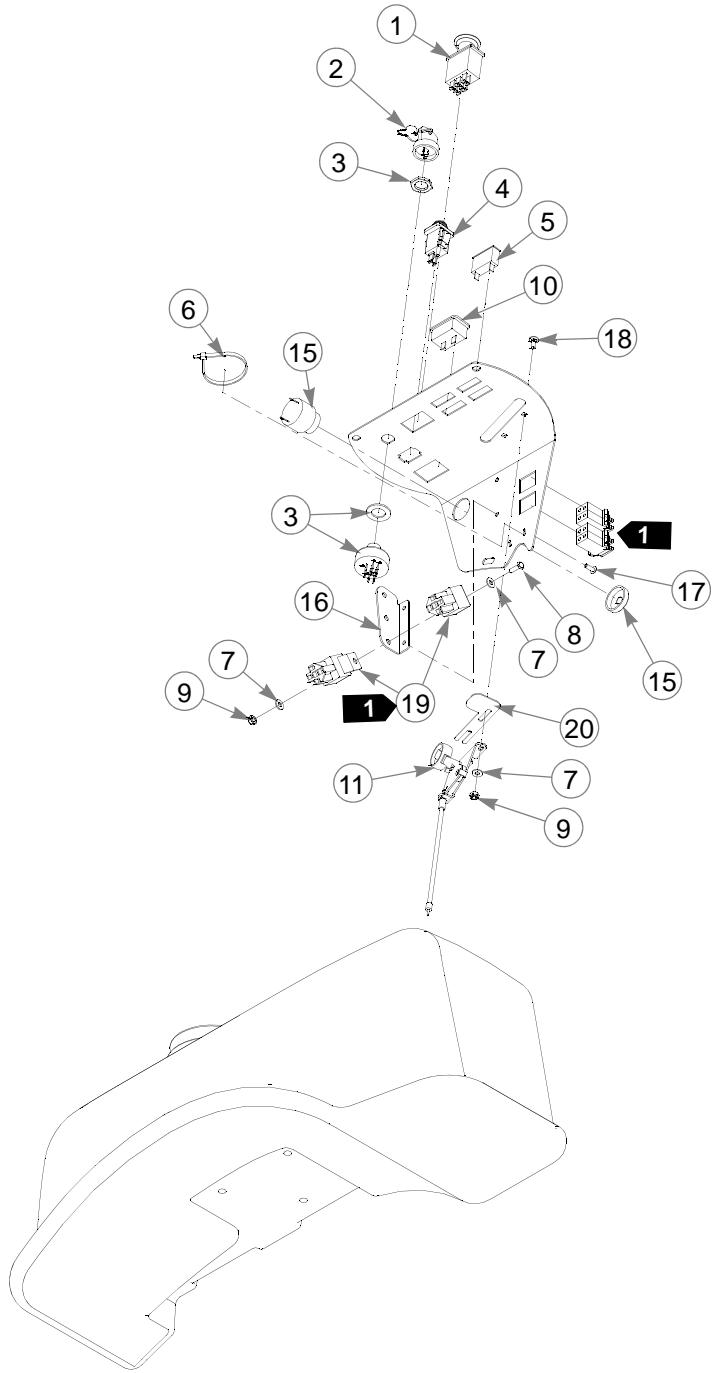
ITEM NO.	SERVICE PART NO.	MFG. PART NO.	QTY	DESCRIPTION
2 1	798470	798470	2	3.5" YELLOW FUEL CAP
2	799445	799445	1	LEFT SIDE FUEL TANK
3	799437	799437	1	RIGHT SIDE FUEL TANK
4	000323	000323	10	CLIP
5	548495	N/A	1	FIREWALL
1 6	055822	055822	12	CS .375-16 X .750 HX G5 ZN
7	767954	767954	12	FW .406 X .812 X .060 SAE HD ZN
8	034280	034280	3	CS .312-18X .750 HX G5
9	768523	768523	6	FW .343X.687X.051/.080H
10	045088	045088	2	HOSE CLAMP 1"
11	034272	034272	3	NT .312-18 HX G5 ZNYC
12	791269	791269	1	FUEL VALVE 3-WAY DOUBLE
13	791418	791418	5	FUEL LINE CLAMP, 5/16 C
14	798868	N/A	1	FUEL PUMP, ELEC - YANMAR
15	600361	N/A	1	FUEL FILTER
16	601253	601253	1	HBARB REDUCER .25 X .18
17	016527	016527	14	CS .500-13 X 1.00 HX G5 ZN
18	767962	767962	14	FW .531 X 1.063 X .090 SAE HD ZN
19	055939	055939	2	CS .250-20X .750 HX G5
20	768515	768515	4	FW .281X.625X.051/.080H
21	024927	024927	2	NT .250-20 HX GR.5 ZNYC
22	015818	015818	1	FUEL LINE 8.5"
23	015818	015818	1	FUEL LINE 8.5"
24	015818	015818	1	FUEL LINE 27.25"
25	015818	015818	1	FUEL LINE 27.25"
26	015818	015818	1	FUEL LINE 17"
27	791400	791400	1	FUEL LINE 10.5"
28	791400	791400	1	FUEL LINE 2.375"
29	000331	000331	TBD	BLACK CABLE TIE (NOT SHOWN)

NOTES:

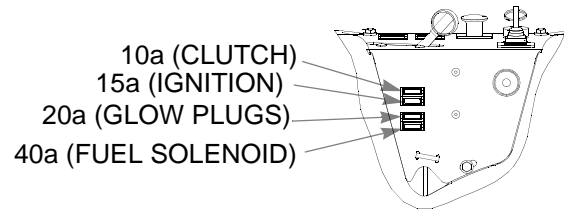
1. Torque to 27.1 N-m.
2. Supplied with new fuel tank.
3. Part of engine.
4. Part of wire harness (798546).
5. Fuel tank service part not shown:

PN	DESCRIPTION
799197	SZ HOSE ASSY, SUCTION

Instrument Panel Assembly



FUSE SIZE AND LOCATION



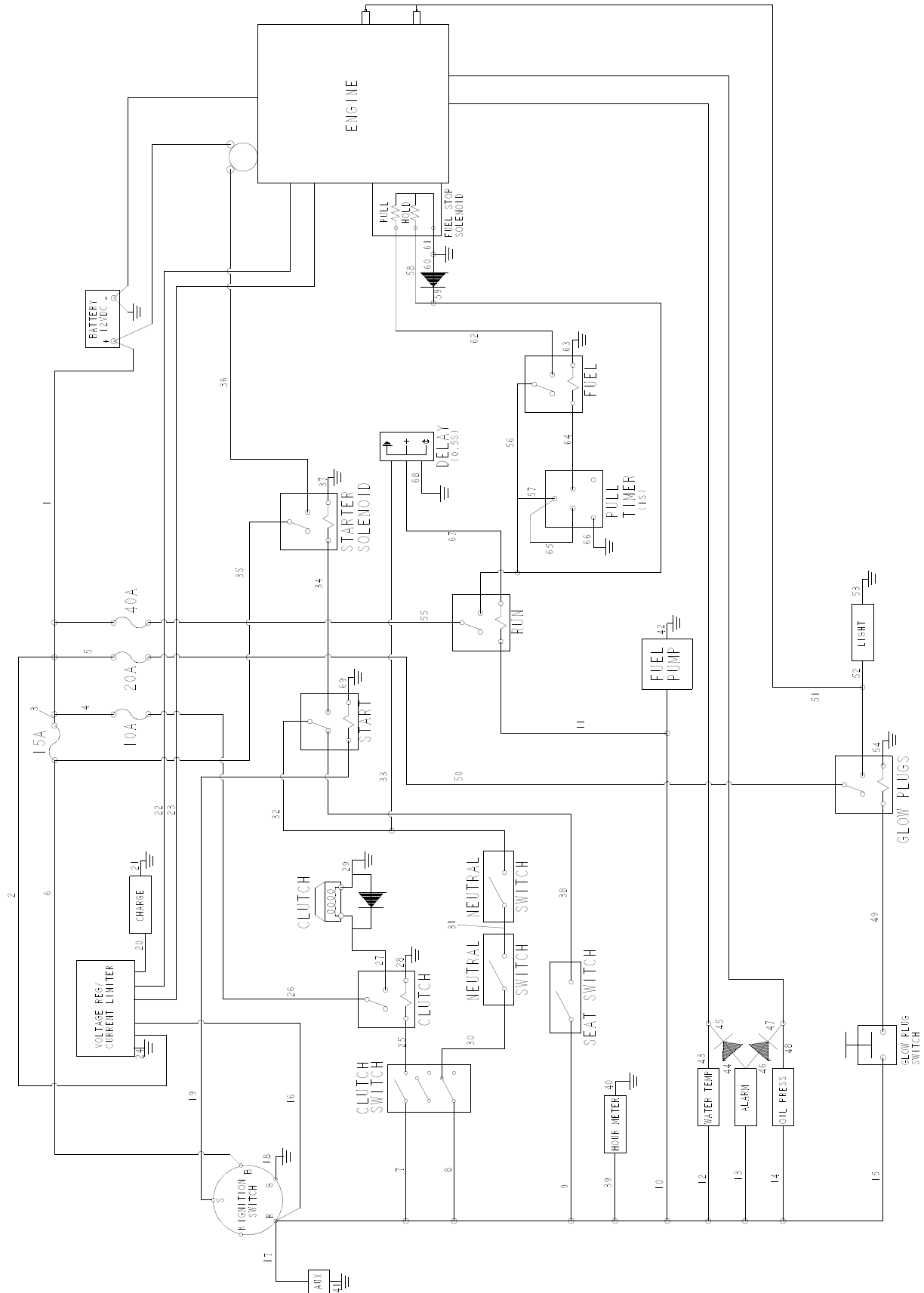
Instrument Panel Assembly

ITEM NO.	SERVICE PART NO.	MFG. PART NO.	QTY	DESCRIPTION
1	776476	776476	1	PTO SWITCH
2	785808	785808	1	KEY SET
3	045898	045898	1	KEY SWITCH
4	798579	798579	1	PUSHBTN SWITCH SPST N.O
5	712257	712257	4	RED INDICATOR LIGHT
6	060889	060889	2	TIE STRAP (0.3" WIDE)
7	704932	704932	8	FW .219 X .500 X .048 ZN
8	714998	714998	3	MS #10-24 X .625 HX ZN
9	059832	059832	5	NT #10-24 HX NL ZN
10	769166	769166	1	HOUR METER
11	600919	600919	1	THROTTLE/CHOKE CABLE
12	055947	055947	3	CS .250-20 X .500 HX G5 ZN
13	768515	768515	3	FW .281 X .625 X .051 / .080 HD ZN/YL
14	105148	105148	1	INSTRUMENT PANEL
15	794347	794347	1	ULTRA LOUD WARBLE ALARM
16	107920	107920	1	RELAY BRACKET
17	601089	601089	2	RIVET .188 DIA BLK HD
18	601098	601098	2	CB 10-24 X .500 ZYNC
19	601053	N/A	6	RELAY
20	102707	102707	1	THROTTLE STOP
	762195	N/A	1	DELAY MODULE (NOT SHOWN)
	798561	798561	1	TIMER 1 SEC YANMAR FUEL (NOT SHOWN)

NOTES:

1. Part of 798546 (Tractor Wire Harness). Quantity 6 of item 7 (704932), quantity 3 of item 8 and quantity 3 of item 9 are included with the wire harness.

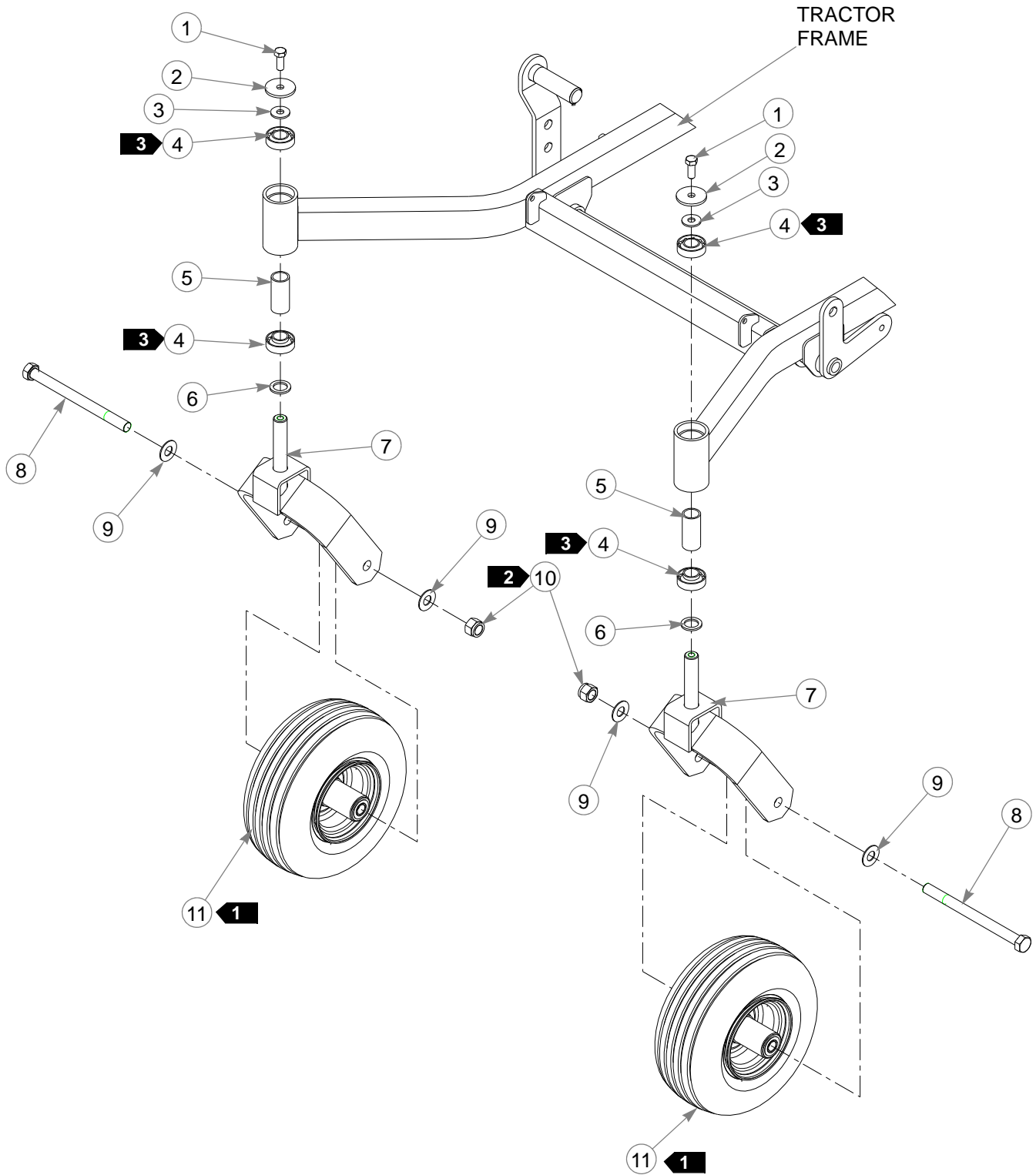
Electrical Schematic (798546)



Chapter 6 Contents

Front Wheel Assembly.	6-2
Front Wheel Breakdown—747782.	6-4
Optional Semi-Pneumatic Tire/Wheel—789537	6-5
Drive Wheel Assembly Installation	6-6
Anti-Rollover Wheel Assembly	6-7

Front Wheel Assembly



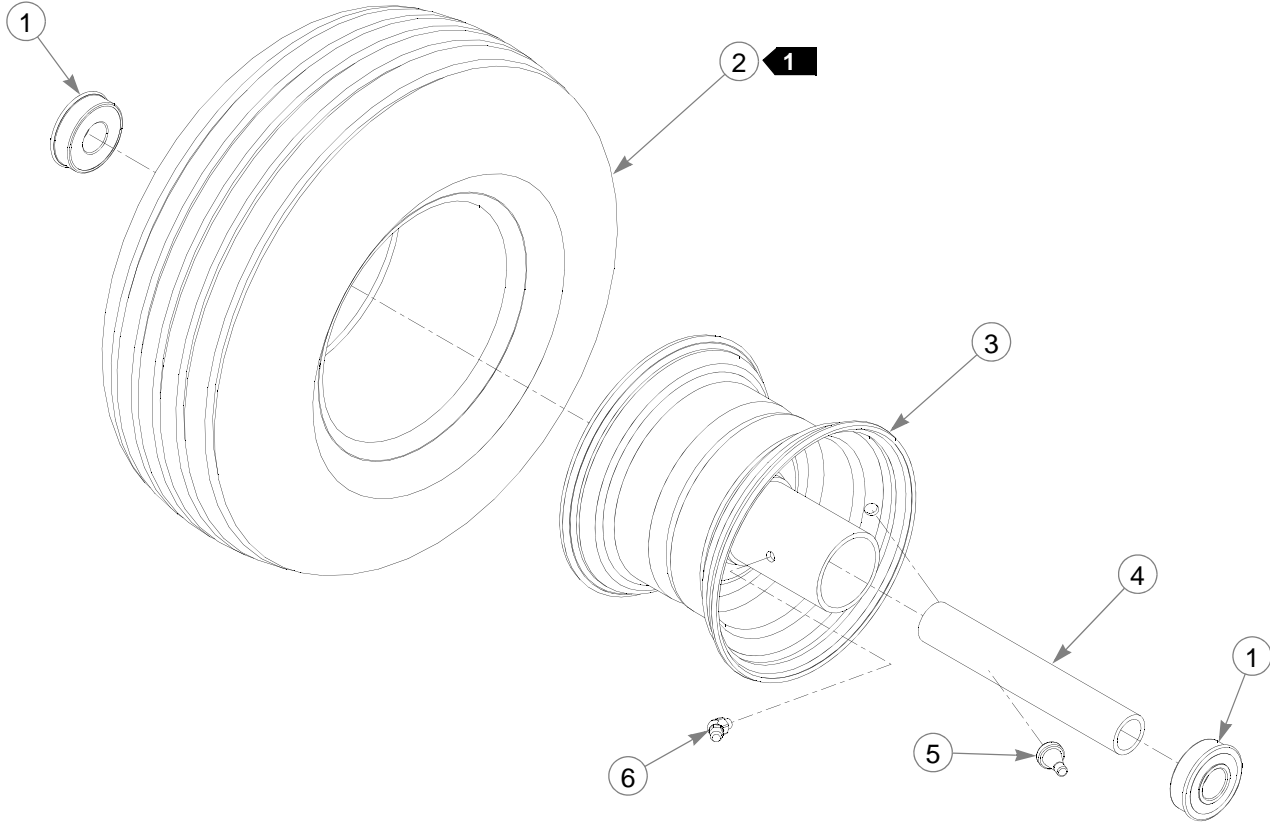
Front Wheel Assembly

INDEX NO.	SERVICE PART NO.	MFG. PART NO.	QTY	DESCRIPTION
1	705954	705954	2	CS .500-13 X 1.25 HX G5 ZN
2	344267	344267	2	FW .510 X 2.15 X .187 SPL ZN
3	712976	712976	2	FW .531X 1.375X.125 ZNY
4	784223	784223	4	BEARING W/O COLLAR
5	387035	387035	2	SPACER, 1.07 X 1.312 X 2.793
6	045765	045765	2	FW 1.030 X 1.500 X.134 ZN
7	349266	349266	2	FORK
8	041475	041475	2	CS .750-10 X 9.50 HX ZN
9	025296	025296	4	FW .760 X 1.625 X .08 ZN
10	061101	061101	2	NT .750-10 HX NL ZN
11	747782	747782	2	WHEEL & TIRE ASSY
	789537	N/A	2	OPTIONAL SEMI-PNEUMATIC WHEEL/TIRE ASSEMBLY

NOTES:

1. Apply grease to zerks.
2. Torque to 135.6 N-m.
3. Assemble with extended inner race toward item 5 (387035 Spacer, 1.07 x 1.312 x 2.793).

Front Wheel Breakdown—747782

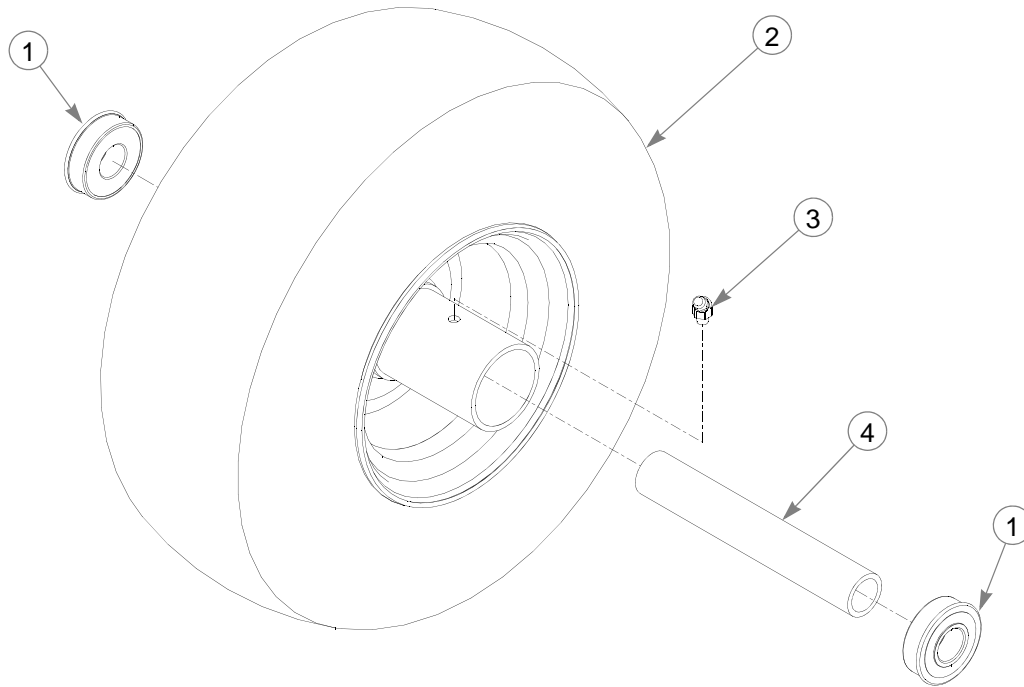


ITEM NO.	SERVICE PART NO.	MFG. PART NO.	QTY	DESCRIPTION
1	039677	N/A	2	WHEEL BEARING
2	747741	N/A	1	13 X 6.50 TIRE
3	747832	N/A	1	6 X 4.5 WHEEL
4	782771	N/A	1	BEARING SPACER
5	019521	N/A	1	TIRE VALVE
6	015511	N/A	1	GREASE FITTING 45 DEG 1/4

NOTES:

1. Inflate tire to 55.16-68.95 kPa.

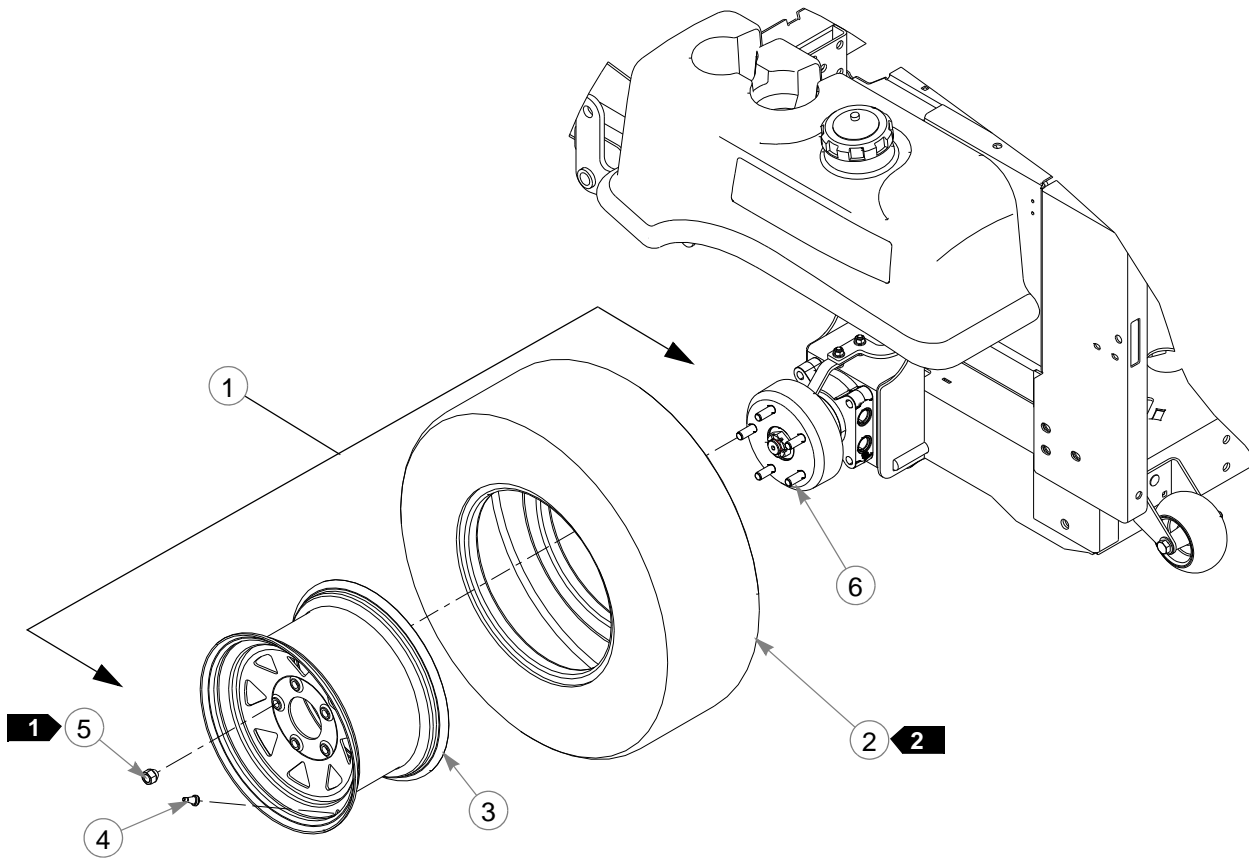
Optional Semi-Pneumatic Tire/Wheel—789537



ITEM NO.	SERVICE PART NO.	MFG. PART NO.	QTY	DESCRIPTION
1	039677	N/A	2	WHEEL BEARING
2	789537	N/A	1	TIRE/WHEEL ASSEMBLY
3	015511	N/A	1	GREASE FITTING 45 DEG 1/4
4	782771	N/A	1	BEARING SPACER

NOTES:

Drive Wheel Assembly Installation

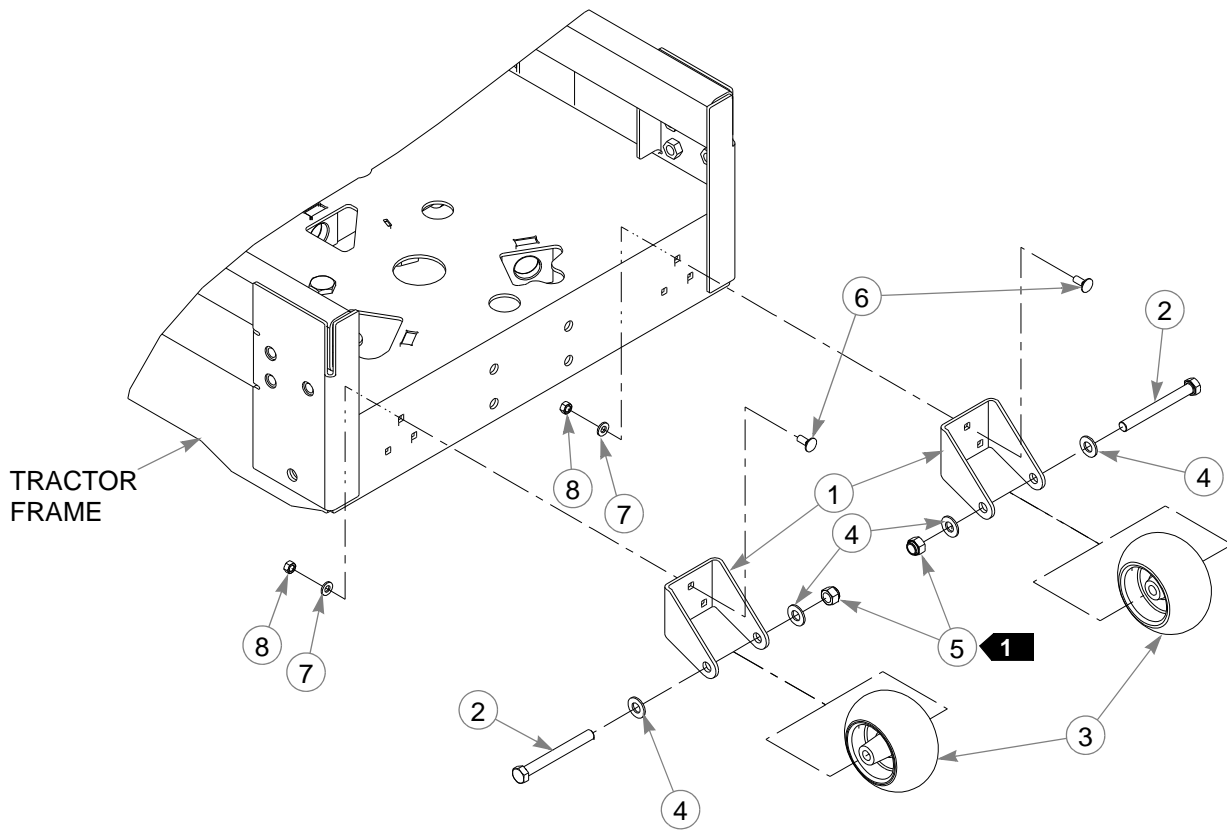


INDEX NO.	SERVICE PART NO.	PART NO.	QTY	DESCRIPTION
1	782078	782078	2	WHEEL & TIRE ASSY (QTY PER TRACTOR)
2	782284	N/A		TIRE 23 X 9.50-12
3	782086	N/A	2	WHEEL ASSY, 12 X 7.00
4	019521	N/A	2	TIRE VALVE
5	061077	061077	10	WHEEL NUT (QTY PER TRACTOR)
6	770859	N/A	10	1/2" WHEEL LUG STUD

NOTES:

1. Torque to 88.13-101.7 N-m.
2. Inflate tire to 55.16-68.95 kPa.

Anti-Rollover Wheel Assembly



INDEX NO.	SERVICE PART NO.	MFG. PART NO.	QTY	DESCRIPTION
1	350835	350835	2	WHEELIE BRACKET
2	068239	068239	2	CS .500-13 X 4.500 HX G5 ZN
3	031997	031997	2	ANTI-SCALP WHEEL
4	767962	767962	4	FW .531 X 1.063 X .090 SAE HD ZN
5	781567	781567	2	NT .50-13 HX LK NY
6	016253	016253	6	CB .312-18X .750 FUL ZN
7	768523	768523	6	FW .343X.687X.051/.080H
8	034272	034272	6	NT .312-18 HX G5 ZNYC

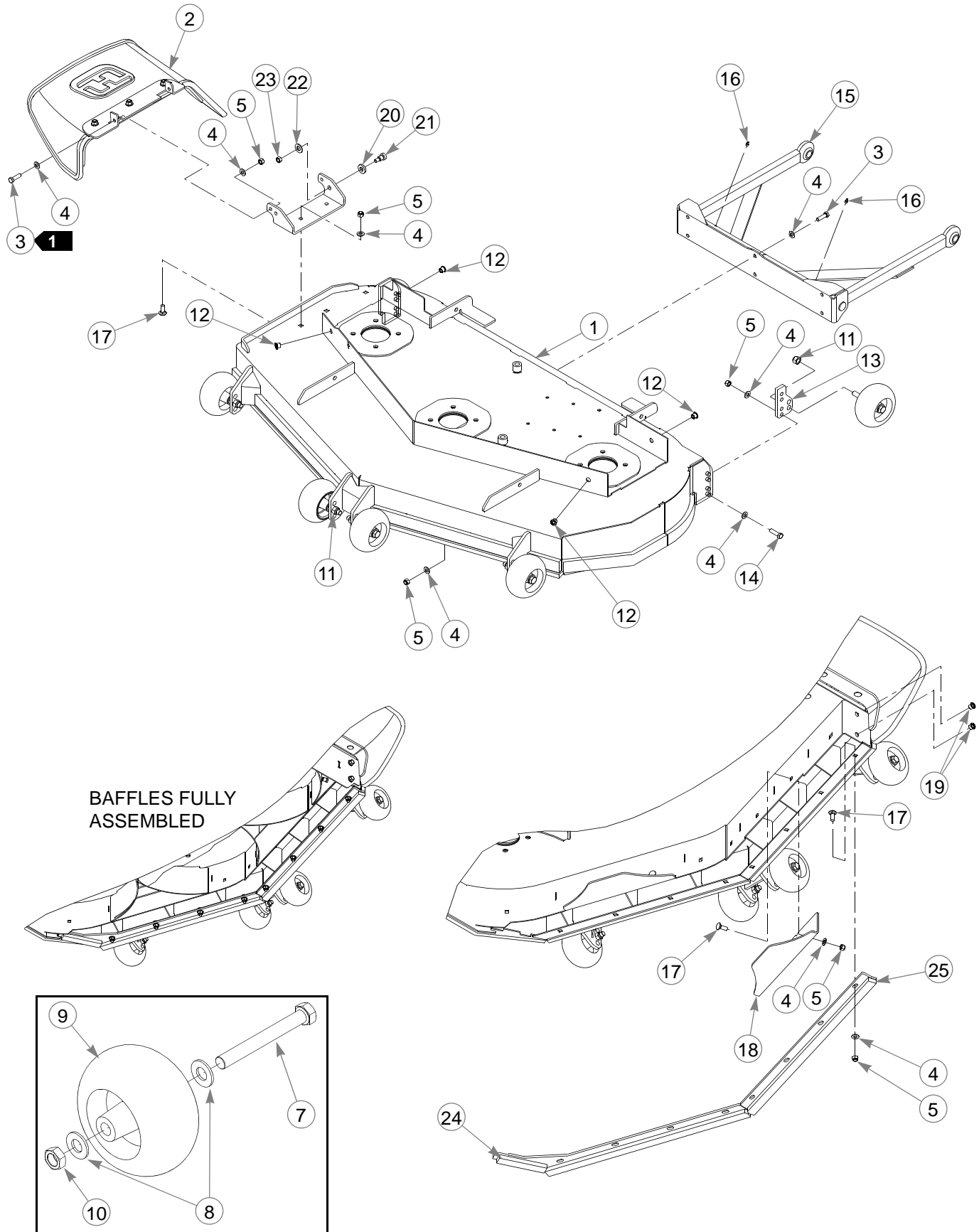
NOTES:

1. Do not torque, wheel must turn freely.

Chapter 7 Contents

54" Side Discharge Deck Assembly (XR-7™)	7-2
54" Side Discharge Deck Pulley Assembly (XR-7™)	7-4
54" Rear Discharge Deck Assembly	7-6
54" Rear Discharge Deck Pulley Assembly	7-8
Spindle Assembly–796235	7-10
Spindle Assembly–796680	7-11

54" Side Discharge Deck Assembly (XR-7™)



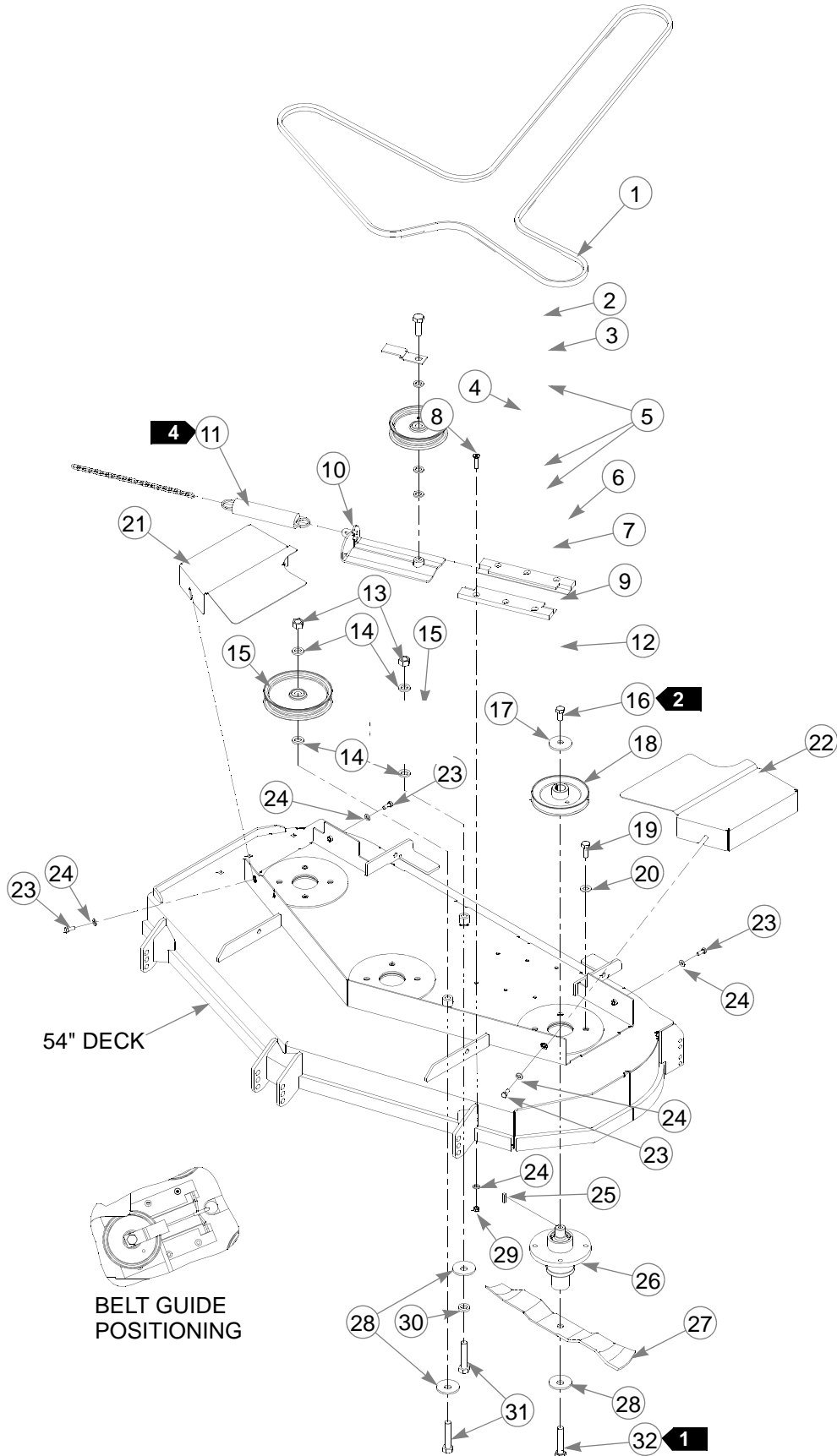
54" Side Discharge Deck Assembly (XR-7™)

INDEX NO.	SERVICE PART NO.	MFG. PART NO.	QTY.	DESCRIPTION
1	N/A	108607	1	54" DECK W/A
2	798694	798694	1	RUBBER CHUTE ASSEMBLY
3	052860	052860	8	CS .375-16 X 1.25 HX G5
4	767954	767954	38	FW .406 X .812 X .060 SAE HD ZN
5	086660	086660	26	NT .375-16 HX LK NY
6	103010	103010	1	DISCHARGE CHUTE MOUNT BRACKET
7	781708	N/A	6	CS .500-13 X 4.25 HX G5 ZN
8	767962	N/A	12	FW .531 X 1.063 X .090 SAE HD ZN
9	031997	N/A	6	ANTI-SCALP WHEEL
10	053199	N/A	6	NT .500-13 HX JAM ZN
11	781567	781567	6	NT .50-13 HX LK NY
12	808485	808485	4	5/16-18 THREAD RIVET NUT
13	103184	103184	2	REAR ANTI-SCALP BRACKET
14	005116	005116	4	CS .375-16 X 1.375 HX G5 ZNYC
15	314104	314104	1	PUSHER
16	015495	015495	2	STRAIGHT GREASE FITTING
17	025395	025395	14	CB .375-16 X 1.00 STD CD
18	108619	108619	2	54" AIR FLOW FLOOR
19	808493	808493	2	3/8-16 THREAD RIVET NUT
20	070037	070037	1	FW .530X 1.06X.19 HRD Z
21	750414	750414	1	SB .500X .500 SH .375-1
22	767962	767962	1	FW .531X 1.063X.090 SAE
23	054502	054502	1	NT .375-16 HX GRD 5 ZNYC
24	108627	108627	1	ADAPTER W/A 54" LS CE
25	107640	107640	1	BLOWOUT 54" RS XR7
2	788166	788166	6	ANTI SCALP WHEEL ASSY

NOTES:

1. Do not torque, Item 2 (798694 Discharge Chute) must pivot freely.
2. Includes items 7, 8, 9, and 10.

54" Side Discharge Deck Pulley Assembly (XR-7™)



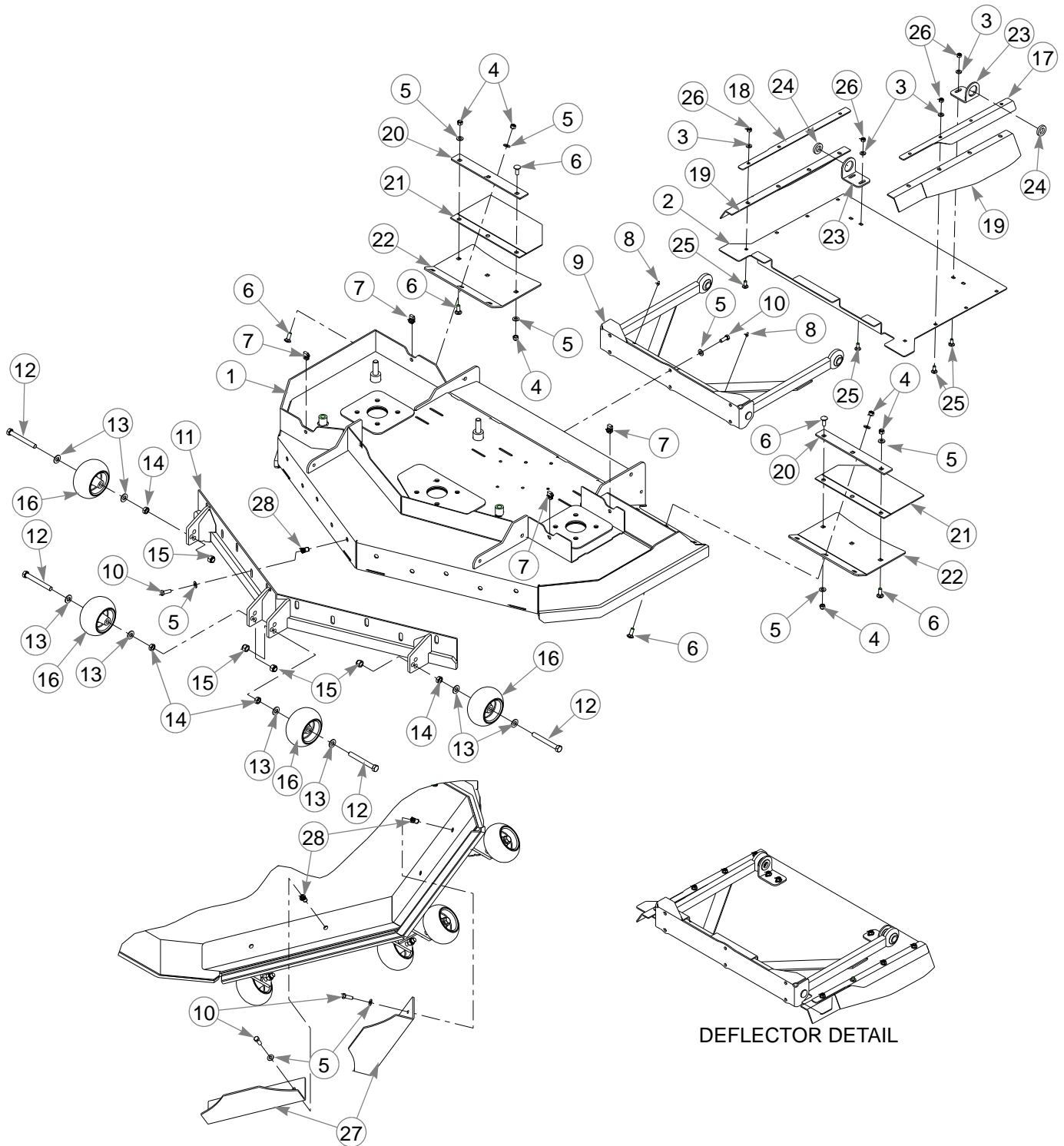
54" Side Discharge Deck Pulley Assembly (XR-7™)

INDEX NO.	SERVICE PART NO.	MFG. PART NO.	QTY.	DESCRIPTION
1	600929	600929	1	B-SECTION BELT
2	025007	025007	1	CS .625-11 X 1.75 HX G5 ZN
3	347443	347443	1	DECK BELT IDLER TOP GUIDE
4	781856	781856	1	5.00" IDLER PULLEY
5	028118	028118	3	FW .62 X 1.00 X .134 ZN
6	600189	600189	1	IDLER SLIDE UHMW RS
7	600171	600171	1	IDLER SLIDE UHMW LS
8	797910	797910	6	CS .312-18X1.50FLT SH ZY
9	350884	350884	1	DECK IDLER
10	781302	781302	1	IDLER SPRING
11	373191	059931	1	SIDE MOUNT CHAIN 21 LINKS
12	786335	786335	1	UHMW .03 THICK
13	016972	016972	2	NT .625-11 HX G5 ZNYC
14	797449	797449	4	FW .650X1.125X.18 ZNYCG5
15	781385	781385	2	6.00" IDLER PULLEY
16	016527	016527	3	CS .500-13 X 1.00 HX G5 ZN
17	752386	752386	3	CW .515X 2.25X .204 ZN
18	798967	798967	3	DECK DRIVE PULLEY
19	705954	705954	12	CS .500-13X1.25 HX G5 ZY
20	767962	767962	12	FW .531X 1.063X.090 SAE
21	103986	103986	1	RS 54" PULLEY COVER
22	103994	103994	1	LS 54" PULLEY COVER
23	034280	034280	4	CS .312-18X .750 HX G5
24	768523	768523	10	FW .343X.687X.051/.080H
25	212472	212472	3	KEY 1/4 SQ X 1.00 LONG
5	796235X	796235	3	DECK SPINDLE ASSY
27	797696	797696	3	BLADE, F18.50"-H-F-CW
28	782474	782474	5	CW .631 X 2.250 X .187 PNT
29	058776	058776	6	NT .312-18 HXZY NL
30	769257	769257	1	FW .656X 1.250X.250 ZNY
31	783738	783738	2	CS .625-11X3.00 FULL HX G5 ZN
32	029934	029934	3	CS .625-11 X 3.00 HX G5 ZNYC

NOTES:

1. Torque to 160 N-m.
2. Torque to 88-102 N-m.
3. Apply grease to zerk.
4. See "54" Rear Discharge Deck Belt Routing and Tensioning" on page 8-7 for belt tensioning.
5. See "Spindle Assembly--796235" on page 7-10 for breakdown.

54" Rear Discharge Deck Assembly



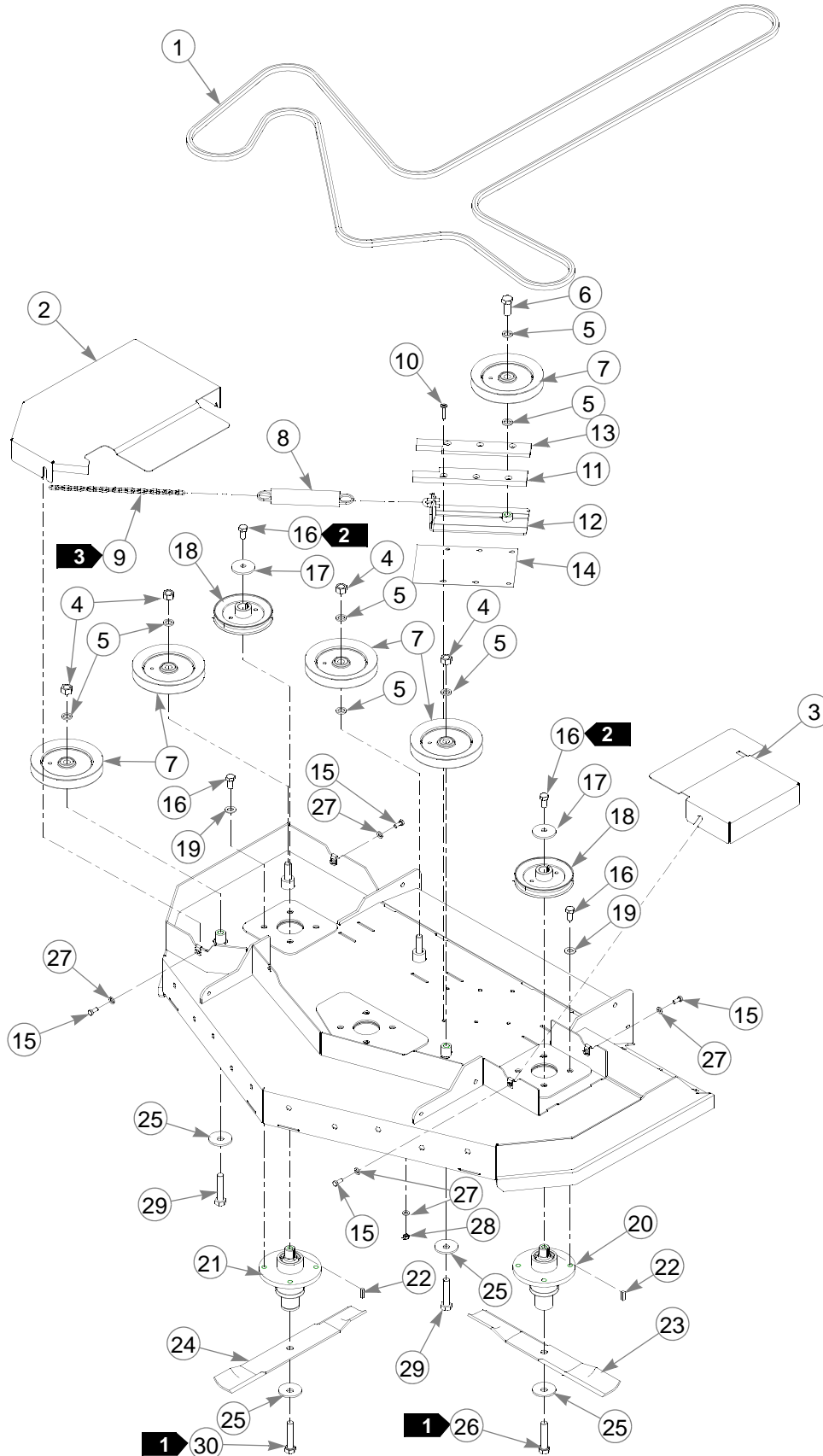
54" Rear Discharge Deck Assembly

INDE X NO.	SERVICE PART NO.	MFG. PART NO.	QTY.	DESCRIPTION
3 1	548644CE	107933	1	54" REAR DISCHARGE DECK W/A
2	108066	108066	1	RD DECK GUARD
3	768523	768523	12	FW .343 X .687 X .051/.080 HD ZN
4	086660	086660	6	NT .375-16 HX LK NY
5	767954	767954	26	FW .406 X .812 X .060 SAE HD ZN
6	025395	025395	12	CB .375-16 X 1.00 STD CD
7	601069	601069	4	CN .312-18X.200 MAX THK
8	015495	015495	2	STRAIGHT GREASE FITTING
9	349803	349803	1	PUSHER
10	036244	036244	20	CS .375-16 X 1.00 HX G5 ZN
11	107975	107975	1	54" REAR DISCHARGE FRONT ANGLE
12	781708	N/A	4	CS .500-13 X 4.25 HX G5 ZN
13	767962	N/A	8	FW .531 X 1.063 X .090 SAE HD ZN
14	053199	N/A	4	NT .500-13 HX JAM ZN
15	781567	781567	4	NT .50-13 HXZY NL
16	031997	N/A	4	ANTI-SCALP WHEEL
17	106724	106724	1	RD DEFLECTOR CLAMP LS ANGLE
18	106666	106666	1	RD DEFLECTOR CLAMP RS ANGLE
19	601113	601113	2	RD SIDE FLAP
20	108816	108816	2	CLAMP BRACKET
21	601017	601017	2	RD REAR FLAP
22	108817	108817	2	EXTENSION BRACKET
23	106591	106591	2	RD DECK GUARD BRACKET
24	778399	778399	2	FW .781 X 1.375 X .250 ZNYC
25	016253	016253	12	CB .312-18 X .750 FUL ZN
26	058776	058776	12	NT .312-18 HXZY NL
27	107978	107978	2	AIR FLOW BAFFLE
28	600994	600994	14	RIVET NUT, 3/8-16 THREAD
1 2	788166	788166	4	ANTI SCALP WHEEL ASSEMBLY

NOTES:

1. Factory assembled in top hole for shipping purposes.
2. Includes Items 12 through 14 and 16.
3. Service part deck includes decals, see "54" Rear Discharge Deck Decals" on page 9-5

54" Rear Discharge Deck Pulley Assembly



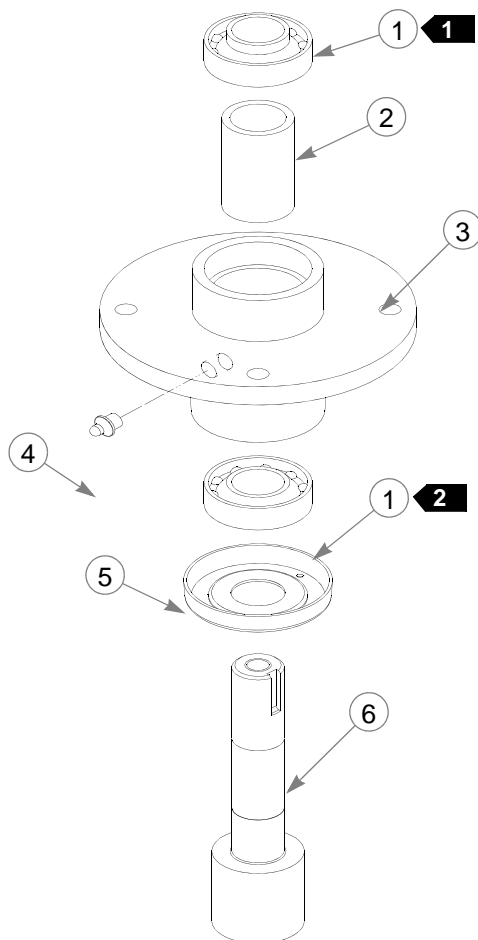
54" Rear Discharge Deck Pulley Assembly

INDEX NO.	SERVICE PART NO.	MFG. PART NO.	QTY.	DESCRIPTION
1	795781	795781	1	54" REAR DISCHARGE DECK BELT
2	107945	107945	1	RIGHT 54" REAR DISCHARGE PULLEY COVER
3	107946	107946	1	LEFT 54" REAR DISCHARGE PULLEY COVER
4	016972	016972	4	NT .625-11 HX G5 ZNYC
5	028118	028118	7	FW .62 X 1.00 X .134 ZN
6	794446	794446	1	CS .625-11 X 1.50 HX G5
7	796714	796714	5	6" HB IDLER PULLEY RD
8	781302	781302	1	IDLER SPRING
9	373191	059931	1	SIDE MOUNT CHAIN (21 LINKS)
10	797910	797910	6	CS .312-18 X 1.250 FLT SH ZNYC
11	600171	600171	1	IDLER UHMW LS SLIDE
12	350884	350884	1	REAR DISCHARGE DECK IDLER
13	600189	600189	1	IDLER UHMW RS SLIDE
14	786335	786335	1	.03 THICK UHMW
15	034280	034280	4	CS .312-18X .750 HX G5
16	016527	016527	15	CS .500-13 X 1.00 HX G5 ZN
17	752386	752386	3	FW .510 X 1.75 X .18 ZN
18	798967	798967	3	B-SEC PULLEY 5.44 EOD
19	767962	767962	12	FW .531 X 1.063 X .090 SAE HD ZN
4	796235X	796235	2	DECK SPINDLE ASSY
5	796680X	796680	1	REAR DISCHARGE DECK SPINDLE ASSEMBLY
22	212472	212472	3	KEY 1/4 SQ X 1.00 LONG
23	601012	601012	2	BLADE F18.50"-L-F-CW
24	601013	601013	1	BLADE, F18.50-L-F-CCW
25	782474	782474	5	CW .631 X 2.250 X .187 PNT
26	029934	029934	2	CS .625-11 X 3.00 HX G5 ZNYC
27	768523	768523	4	FW .343 X .687 X .051/.080 HD ZN
28	058776	058776	4	NT .312-18 HXZY NL
29	783738	783738	2	CS .625-11X3.00 FULL HX G5 ZN
30	796722	796722	1	CS .625-11 X 3.00 LH HX G

NOTES:

1. Torque to 160 N-m.
2. Torque to 88.1-101.7N-m.
3. See "54" Rear Discharge Deck Belt Routing and Tensioning" on page 8-7 for belt tensioning.
4. See "Spindle Assembly-796235" on page 7-10 for breakdown.
5. See "Spindle Assembly-796680" on page 7-11 for breakdown.

Spindle Assembly-796235

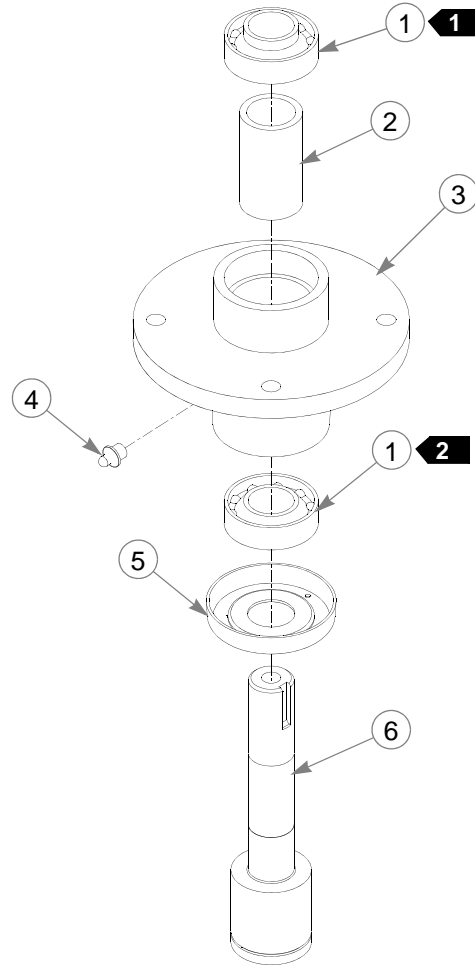


INDEX NO.	SERVICE PART NO.	MFG. PART NO.	QTY.	DESCRIPTION
1	077123	N/A	2	BEARING W/O COLLAR
2	766204	N/A	1	BLADE SPINDLE BUSHING
3	034843	N/A	1	CAST SPINDLE HOUSING
4	012005	N/A	1	GREASE FITTING
5	600893	N/A	1	BEARING DUST COVER
6	796227	N/A	1	SADDLELESS SPINDLE SHAFT

NOTES:

1. Install upper bearing with extended inner race up.
2. Install lower bearing with extended inner race down.

Spindle Assembly-796680



INDEX NO.	SERVICE PART NO.	MFG. PART NO.	QTY.	DESCRIPTION
1	077123	N/A	2	BEARING W/O COLLAR
2	766204	N/A	1	BLADE SPINDLE BUSHING
3	034843	N/A	1	CAST SPINDLE HOUSING
4	012005	N/A	1	GREASE FITTING
5	600893	N/A	1	BEARING DUST COVER
6	796698	N/A	1	SPINDLE SHAFT

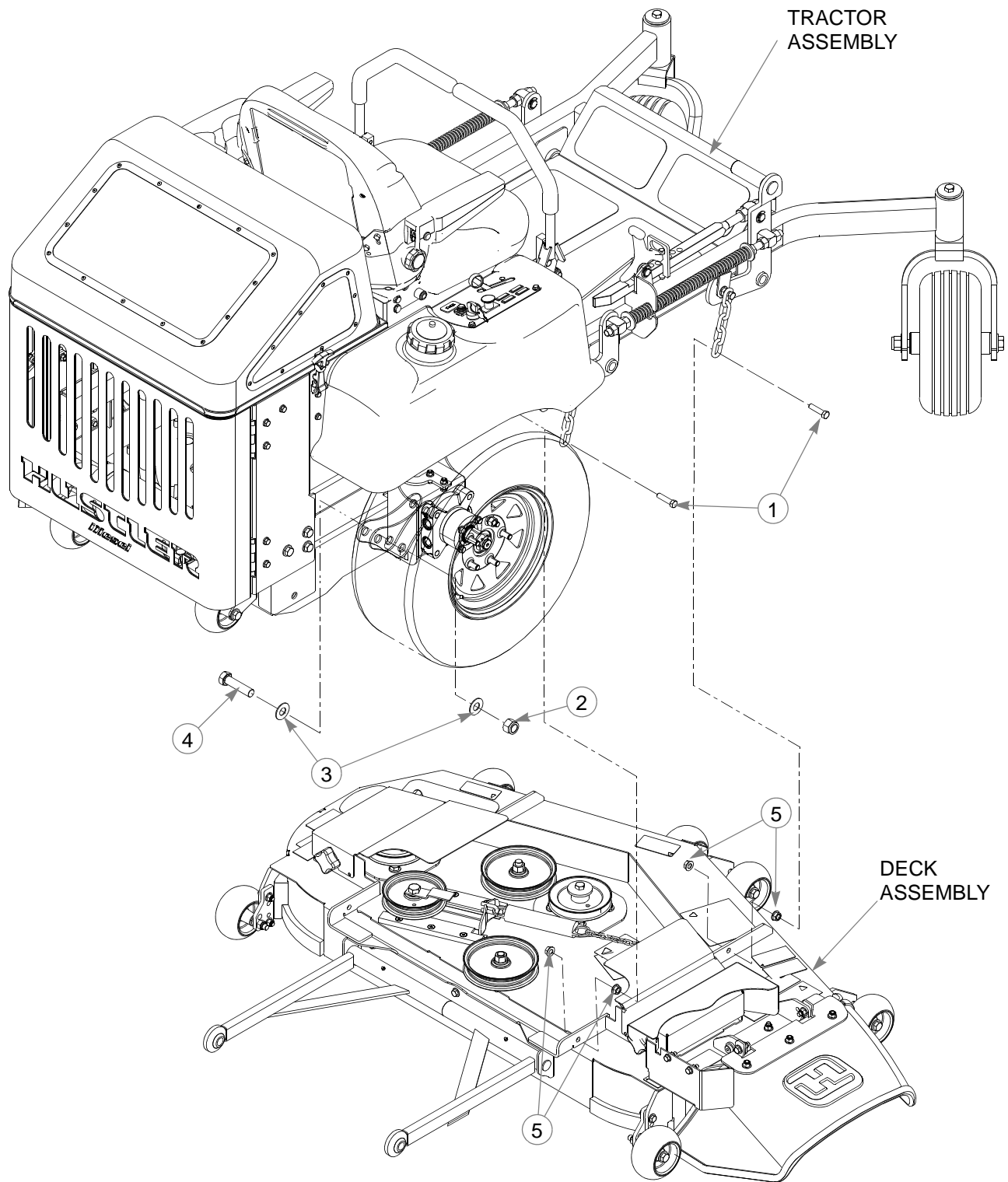
NOTES:

1. Install upper bearing with extended inner race up.
2. Install lower bearing with extended inner race down.

Chapter 8 Contents

Deck Installation–Side Discharge	8-2
Deck Installation–Rear Discharge	8-4
54" Side Discharge (XR7) Deck Belt Routing and Tensioning	8-6
54" Rear Discharge Deck Belt Routing and Tensioning	8-7
Seat Installation	8-8

Deck Installation—Side Discharge

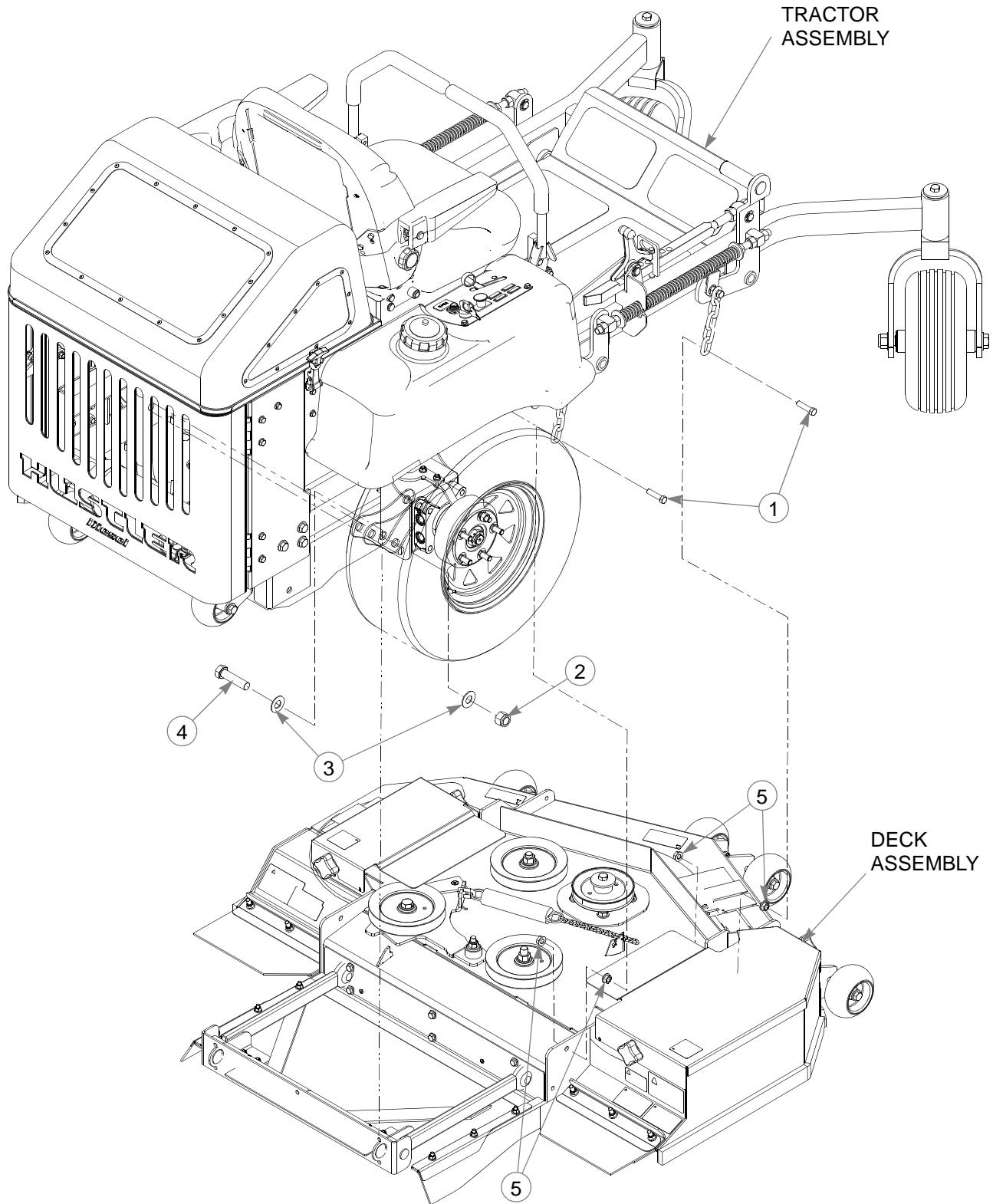


Deck Installation–Side Discharge

ITEM NO.	SERVICE PART NO.	MFG. PART NO.	QTY	DESCRIPTION
1	055749	055749	4	CS .437-14 X 1.750 HX G5 ZN
2	061101	061101	2	NT .750-10 HX NL ZN
3	025296	025296	4	FW .760 X 1.625 X.08 ZN
4	051169	051169	2	CS .750-10 X 3.000 HX G5 ZN
5	704643	704643	8	NT .437-14 HX FLG ZN

NOTES:

Deck Installation—Rear Discharge

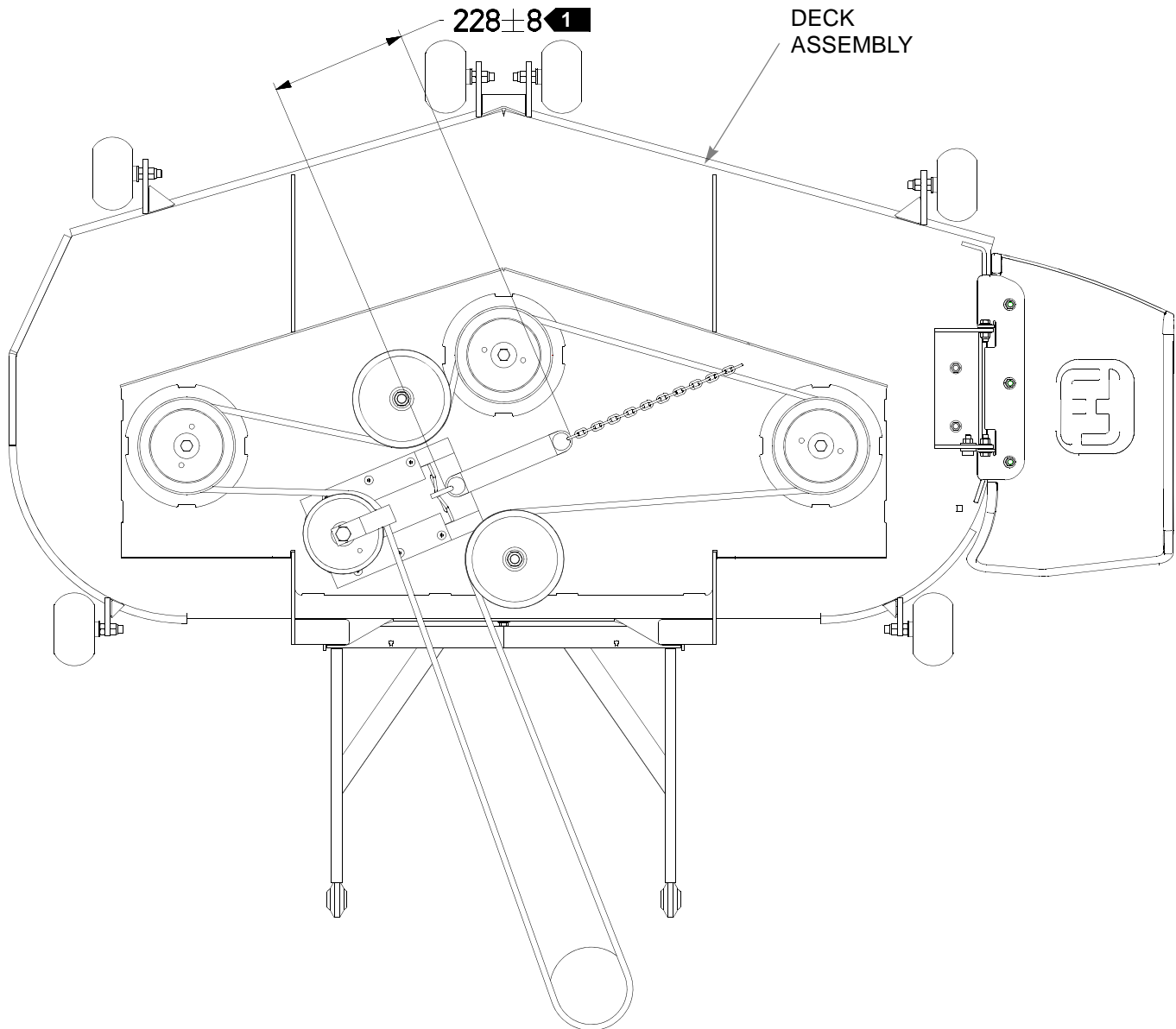


Deck Installation–Rear Discharge

ITEM NO.	SERVICE PART NO.	MFG. PART NO.	QTY	DESCRIPTION
1	055749	055749	4	CS .437-14 X 1.750 HX G5 ZN
2	061101	061101	2	NT .750-10 HX NL ZN
3	025296	025296	4	FW .760 X 1.625 X.08 ZN
4	051169	051169	2	CS .750-10 X 3.000 HX G5 ZN
5	704643	704643	8	NT .437-14 HX FLG ZN

NOTES:

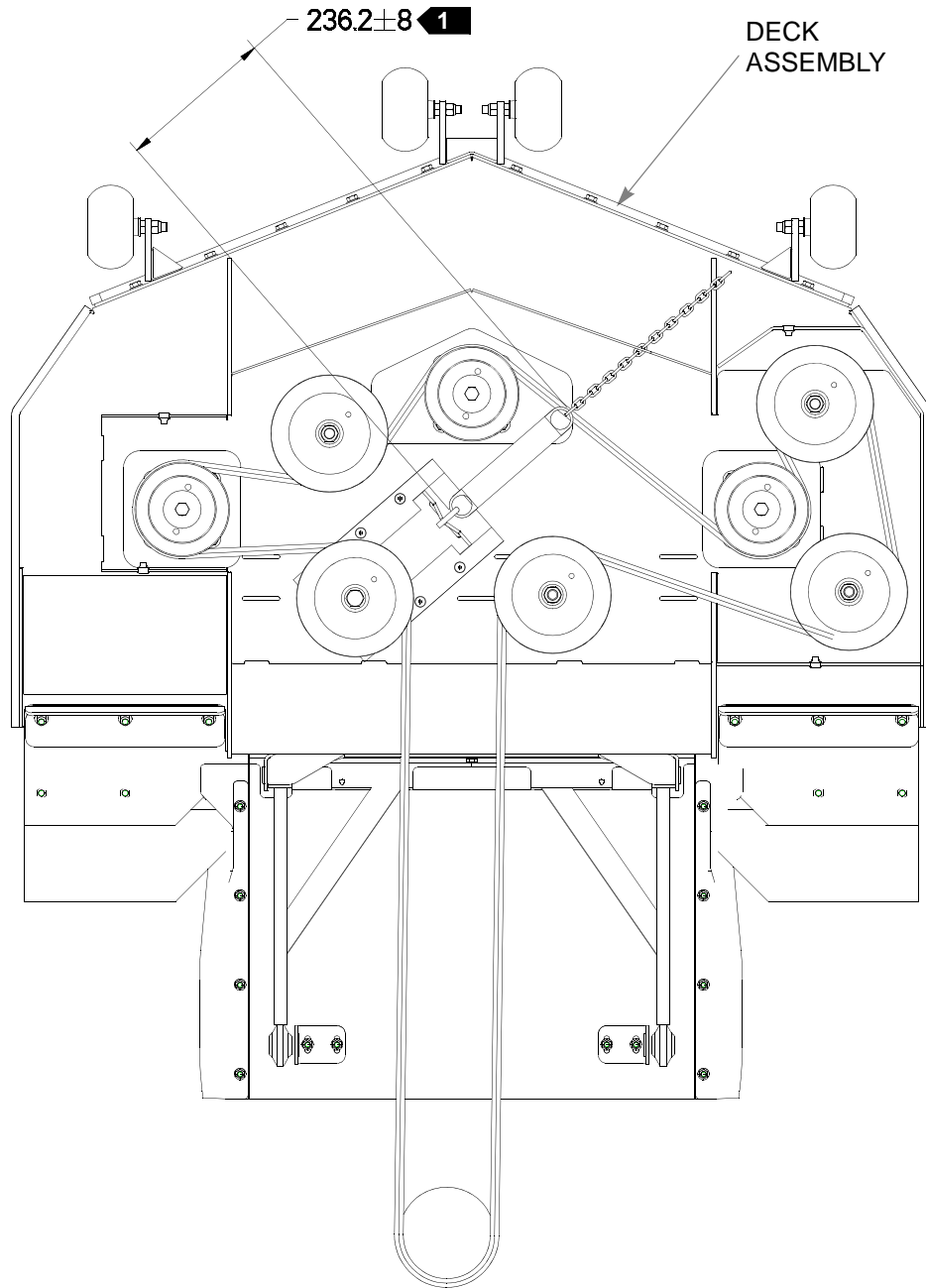
54" Side Discharge (XR7) Deck Belt Routing and Tensioning



NOTES:

1. Spring length after tensioning belt. Measure spring from outside of hook to outside of hook.
2. Route belt as shown.

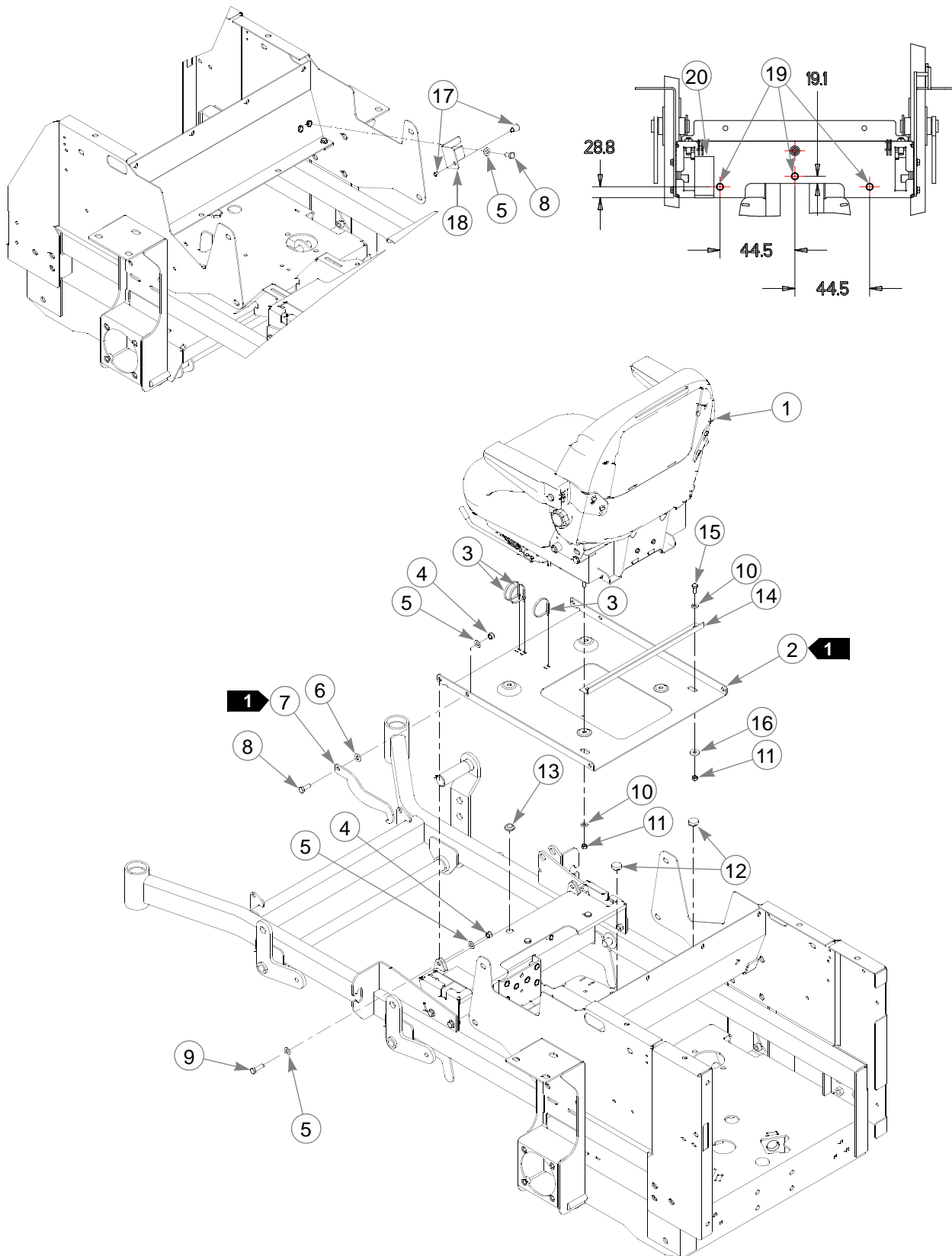
54" Rear Discharge Deck Belt Routing and Tensioning



NOTES:

1. Spring length after tensioning belt. Measure spring from outside of hook to outside of hook.
2. Route belt as shown.

Seat Installation



Seat Installation

INDEX NO.	SERVICES PART NO.	MFG. PART NO.	QTY	DESCRIPTION
1	792051	792051	1	MICHIGAN SUSPENSION SEAT
	793661	793661	1	MICHIGAN SEAT
2	350041	350041	1	SEAT PAN
3	000331	000331	3	BLACK CABLE TIE
4	086660	086660	3	NT .375-16 HX LK NY
5	767954	767954	7	FW .406 X .812 X .060 SAE HD ZN
6	724716	724716	1	FIBER WASHER
7	350421	350421	1	SEAT PAN STOP
8	036244	036244	3	CS .375-16 X 1.000 HX G5 ZN
9	052860	052860	2	CS .375-16 X1.250 HX G5 ZN
10	768523	768523	6	FW .343 X .687 X .051/.080 HD ZN/Y
11	034272	034272	6	NT .312-18 HX G5 ZN
12	781880	781880	2	BUMPER
13	080358	080358	1	GM .50 X 1.00 X .75 X .12 GROMMET
14	108851	108851	1	SEAT STOP
15	034280	034280	2	CS .312-18X .750 HX G5
16	712927	712927	2	FW .344X 1.00X.12 HRD Z
17	748756	748756	1	LATCH SPRING PLUNGER
18	350462	350462	1	SEAT LATCH BRACKET
19	781617	781617	3	RUBBER BUMPER
20	722199	722199	1	2" WIDE SCOTCH POLYURETHANE 5.55" LONG

NOTES:

1. Must pivot freely.
2. Michigan Standard seat (793661) used on mowers with serial number prior to 07110000.
3. Service parts available for Michigan Standard seat;

<u>PART NO.</u>	<u>DESCRIPTION</u>
793307	SLIDE KIT
793315	SEAT SWITCH
797456	ARMREST KIT (OPTIONAL ROUND STYLE)
767464	L.H. ARMREST ASSMBLY (ROUND STYLE W/ BRACKETS)
797472	R.H. ARMREST ASSMBLY (ROUND STYLE W/ BRACKETS)
797480	ONE ARMREST ONLY (ROUND STYLE W/O BRACKET)
793273	ARMREST STOP ASSY

4. Service parts available for Michigan Suspension seat:

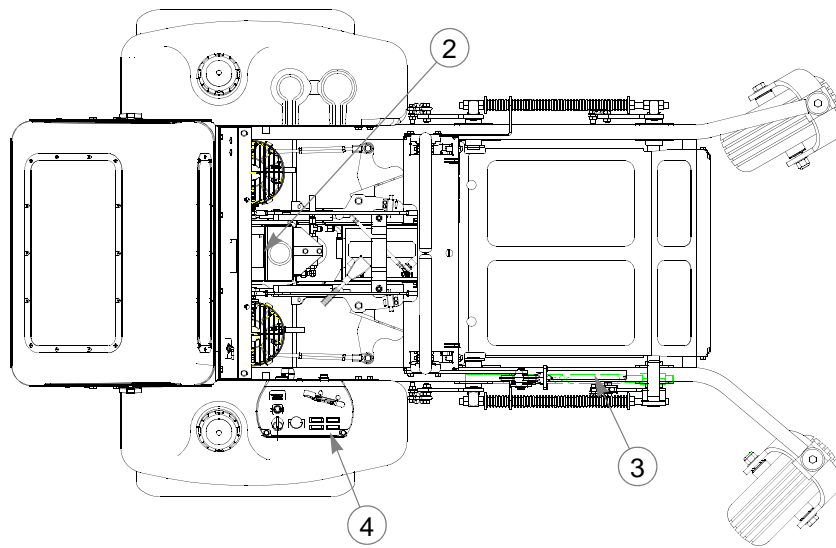
<u>PART NO.</u>	<u>DESCRIPTION</u>
793315	SEAT SWITCH
793307	SLIDE KIT
793323	KNOB KIT
793265	ONE ARMREST (SQUARE STYLE W/O BRACKET)
797480	ONE ARMREST (ROUND STYLY W/O BRACKET)
793273	ARMREST STOP ASSY
793281	BACK CUSHION KIT

<u>PART NO.</u>	<u>DESCRIPTION</u>
793299	SEAT CUSHION KIT
797571	SEAT BACK

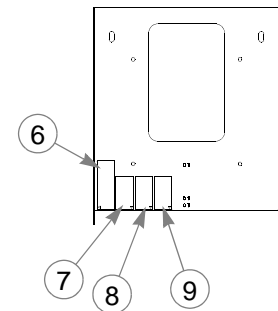
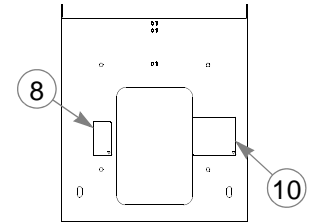
Chapter 9 Contents

Tractor Decals	9-2
54" Side Discharge Deck Decals	9-4
54" Rear Discharge Deck Decals	9-5

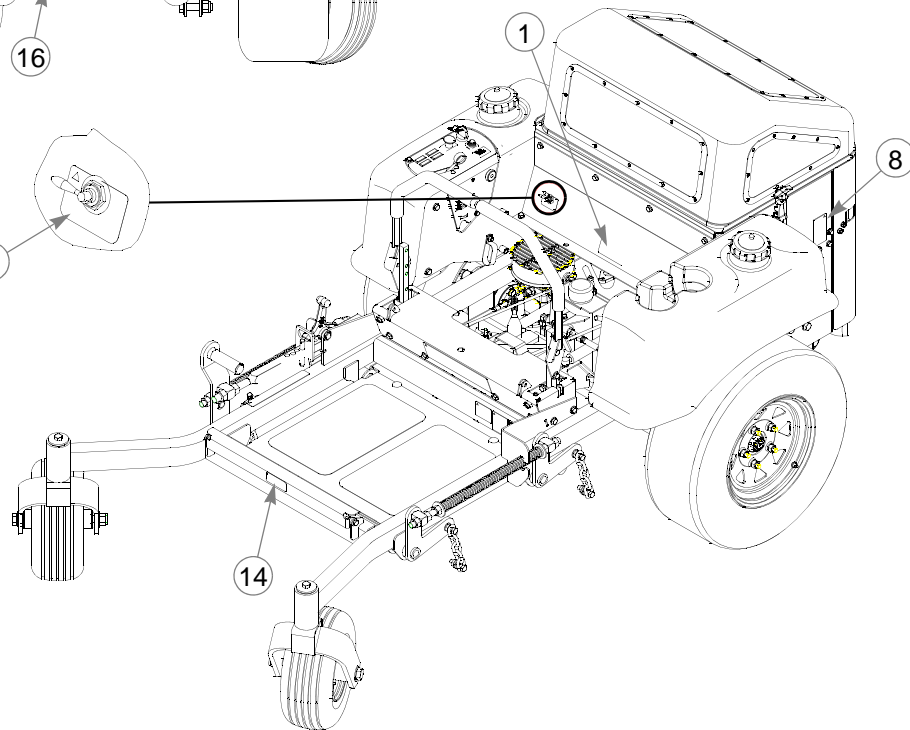
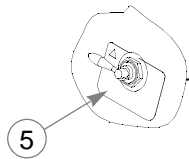
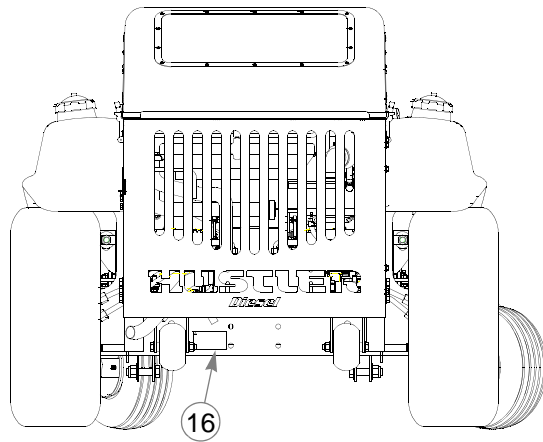
Tractor Decals



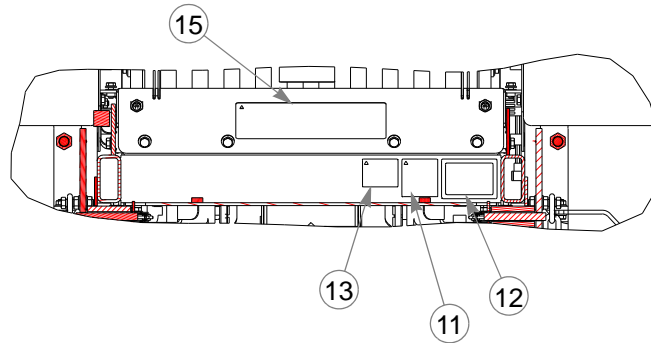
BOTTOM OF SEAT PAN



TOP OF SEAT PAN



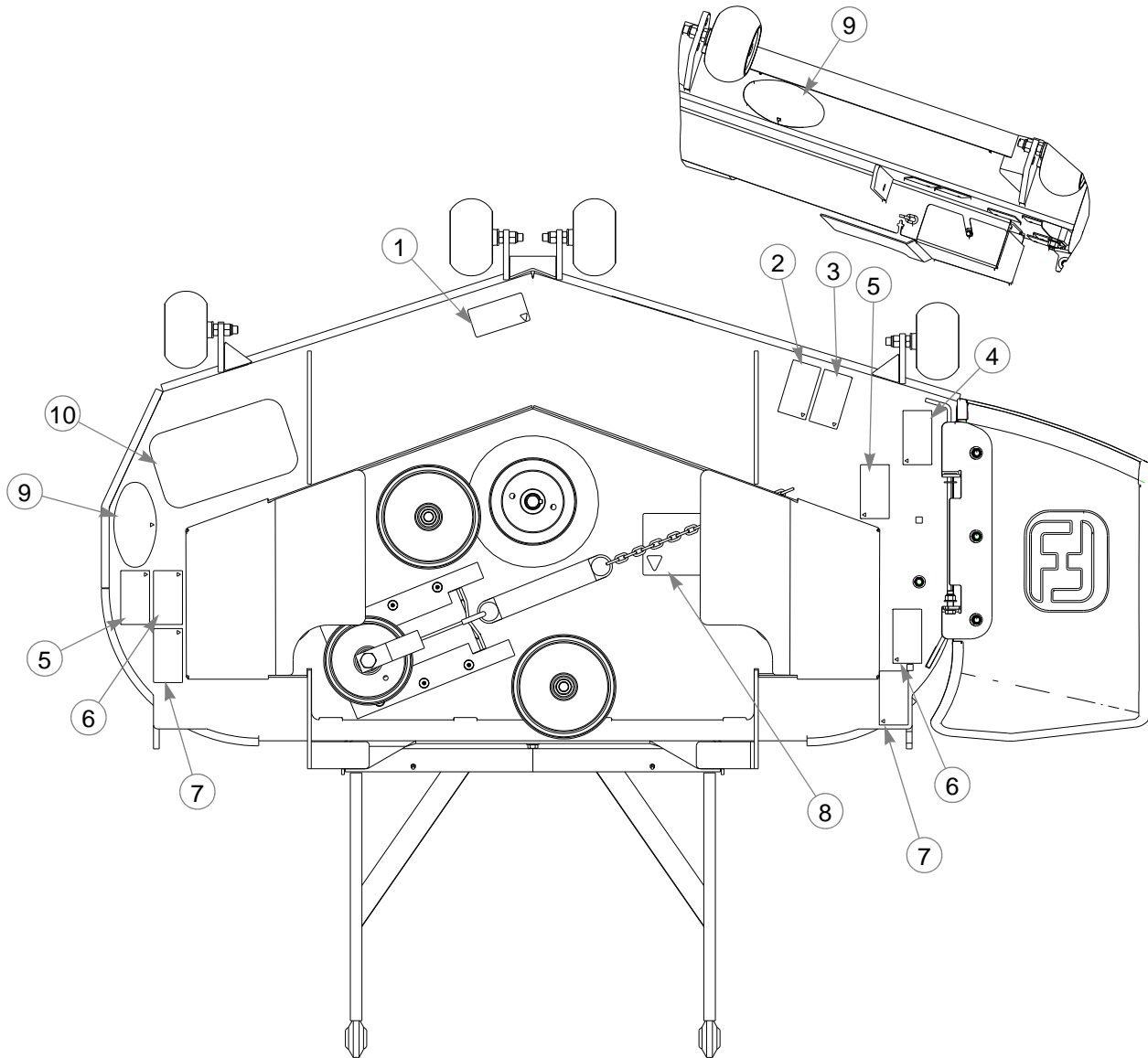
Tractor Decals



INDEX NO.	SERVICE PART NO.	MFG. PART NO.	QTY.	DESCRIPTION
1	727008CE	727008CE	1	HYDRAULIC FLUID DECAL - CE
2	779280CE	779280CE	1	HOT DECAL - CE
3	781427CE	781427CE	1	DECK HEIGHT INDICATOR DECAL
4	601132	601132	1	INSTRUMENT PANEL DECAL - CE
5	601246	601246	1	FUEL VALVE DECAL YDZ
6	789727CE	789727CE	1	EYE/EAR/FOOT PROTECTION DECAL
7	777029CE	777029CE	1	MAXIMUM ANGLE CE DECAL
8	789719CE	789719CE	3	READ SERVICE MANUAL DECAL - CE
9	789701CE	789701CE	1	READ OWNER'S MANUAL DECAL - CE
10	727016CE	727016CE	1	BATTERY DECAL - CE
11	789776CE	789776CE	1	DBA DECAL - CE
12	N/A	083279	1	TURF PROD SERIAL NO PLATE
13	776310	776310	1	CE MARK DECAL
14	793588	793588	1	HUSTLER NAME PLATE
15	786426	786426	1	HUSTLER Z ID DECAL
16	771436CE	771436CE	1	STABILIZER ROLLERS DECAL - CE

NOTES:

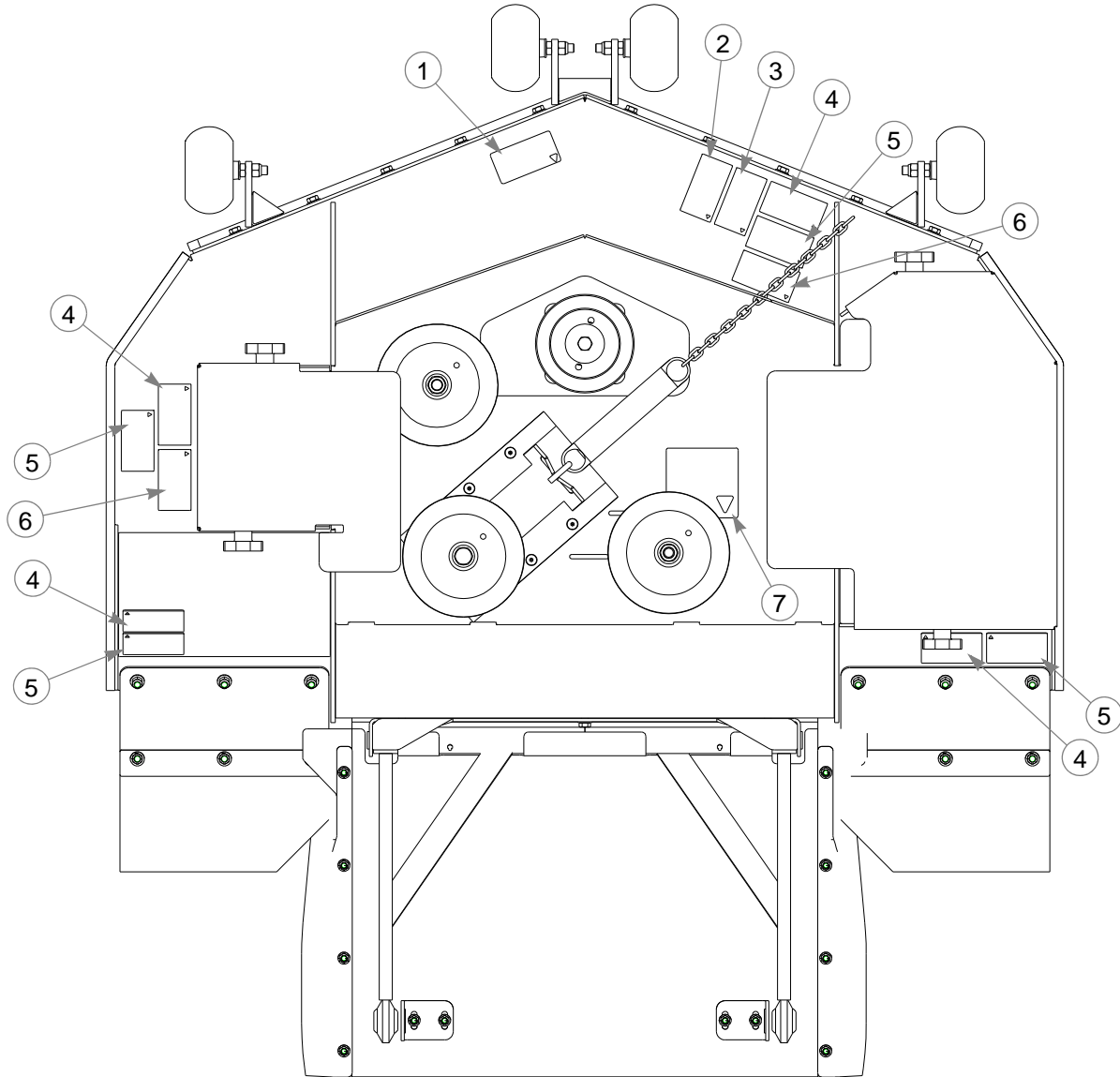
54" Side Discharge Deck Decals



INDEX NO.	SERVICE PART NO.	MFG. PART NO.	QTY.	DESCRIPTION
1	799171	799171	1	54" SIDE DISCHARGE DECK ID DECAL
2	789719CE	789719CE	1	READ SERVICE MANUAL DECAL - CE
3	789701CE	789701CE	1	READ OWNER'S MANUAL DECAL - CE
4	727420CE	727420CE	1	DISCHARGE CHUTE DECAL - CE
5	789685CE	789685CE	2	THROWN OBJECT DECAL
6	727453CE	727453CE	2	DECK COVER DECAL - CE
7	727438CE	727438CE	2	FINGERS & TOES DECAL - CE
8	781419CE	781419CE	1	Z DECK BELT ROUTING DECAL - CE
9	799353	799353	2	XR7 DECK ID DECAL
10	359547	359547	1	STEP TREAD 5.00 X 9.00

NOTES:

54" Rear Discharge Deck Decals



INDEX NO.	SERVICE PART NO.	MFG. PART NO.	QTY.	DESCRIPTION
1	799171	799171	1	54" REAR DISCHARGE DECK ID DECAL
2	789701CE	789701CE	1	READ OWNER'S MANUAL DECAL
3	789719CE	789719CE	1	READ SERVICE MANUAL DECAL
4	789685CE	789685CE	4	THROWN OBJECT DECAL
5	727438CE	727438CE	4	FINGERS AND TOES DECAL
6	727453CE	727453CE	2	CE DECK COVER DECAL
7	796953	796953	1	REAR DISCHARGE DECK ROUTING DECAL

NOTES:

NOTES:

Numerical Index

Part No.	Page No.	Part No.	Page No.	Part No.	Page No.
Index					
Part Numbers					
000323	5-9	056077	5-3	107933	7-7
000331	4-11, 5-5, 5-9, 8-9	057661	5-3, 5-5	107945	7-9
005116	4-7, 7-3	058776	4-3, 5-3, 7-5, 7-7, 7-9	107946	7-9
008573	3-3	059832	4-7, 5-11	107975	7-7
012005	7-10, 7-11	059931	7-9	107978	7-7
015495	4-5, 4-11, 7-3, 7-7	060889	5-11	108066	7-7
015511	6-4, 6-5	061077	6-6	108607	7-3
015818	5-9	061101	4-11, 6-3, 8-3, 8-5	108619	7-3
016253	6-7, 7-7	063198	4-7	108627	7-3
016527	5-9, 7-5, 7-9	064014	4-7	108803	5-5
016972	7-5, 7-9	068239	6-7	108807	5-5
017004	5-3	068346	5-5	108816	7-7
018846	4-5	068551	4-7	108817	7-7
019521	6-4, 6-6	070037	7-3	108851	8-9
023655	4-7, 4-8	077123	7-10, 7-11	108883	5-5
024927	4-3, 5-3, 5-9	077859	5-3	212076	4-11
025007	7-5	078386	5-3	212472	7-5, 7-9
025296	4-11, 6-3, 8-3, 8-5	079186	5-3, 5-5	314104	7-3
025395	7-3, 7-7	080358	8-9	344267	6-3
028118	4-11, 7-5, 7-9	083196	4-11	347443	7-5
029868	4-3	083279	9-3	348318	4-5
029876	4-7	086660	2-3, 4-7, 4-8, 7-3, 7-7, 8-9	348391	4-5
029934	7-5, 7-9	101501	2-2	348417	4-3
031997	6-7, 7-3, 7-7	101535	2-2	348458	4-5
032581	5-5	101642	5-3	348714	4-8
032763	3-3	101691	4-11	348755	4-8
032771	3-3	101725	5-5	348797	4-7
033035	5-5	101733	2-2	348862	4-8
034272	3-3, 4-3, 4-5, 4-7, 4-11, 5-5, 5-9, 6-7, 8-9	101758	5-5	348888	4-8
034280	4-11, 5-3, 5-5, 5-9, 7-5, 7-9, 8-9	101766	4-7	348946	4-8
034843	7-10, 7-11	101782	4-11	348987	4-7
036236	3-3, 4-7, 5-5	102707	5-11	349266	6-3
036244	4-7, 4-8, 7-7, 8-9	103010	7-3	349803	7-7
038836	5-3	103184	7-3	349860	3-3
039677	6-4, 6-5	103986	7-5	350041	8-9
041475	6-3	103994	7-5	350264	4-7
041707	3-3	104661	2-2	350330	4-7
045088	5-9	104703	2-2	350397	4-7
045765	6-3	104851	2-2	350421	8-9
045898	5-11	104851	2-2	350462	8-9
050161	5-5	105007	2-2	350835	6-7
051169	8-3, 8-5	105148	5-11	350884	7-5, 7-9
052860	2-3, 7-3, 8-9	106112	2-2	359547	2-3, 9-4
053199	4-7, 7-3, 7-7	106591	7-7	367557	4-7
054502	4-7, 7-3	106666	7-7	373191	7-5, 7-9
055749	4-5, 8-3, 8-5	106724	7-7	387035	6-3
055822	4-7, 5-9	107640	7-3	548479CE	2-2
055939	4-3, 5-9	107747	5-5	548487CE	2-2
055947	3-3, 5-11	107786	5-5	548495	5-5, 5-9
		107787	5-5	548495CE	2-2
		107788	2-3	548503	2-2
		107920	5-11	548511CE	2-2

Part No.	Page No.	Part No.	Page No.	Part No.	Page No.
548529	5-5	704643	4-5, 8-3, 8-5	777029CE	9-3
548529CE	2-2	704742	3-3	778399	7-7
548537	2-2, 5-5	704932	5-11	778522	5-5
548610	2-3	705178	4-8	779132	3-3
548636CE	3-3	705186	3-3	779173	5-5
548644CE	7-7	705954	6-3, 7-5	779280CE	9-3
548651	5-5	712257	5-11	779850	4-3
600171	7-5, 7-9	712927	8-9	780718	3-4
600189	7-5, 7-9	712976	6-3	781153	4-8
600221	4-7	713040	5-3, 5-5	781211	4-7
600320	5-5	714998	5-11	781229	4-5
600338	5-3	722199	8-9	781260	4-8
600353	1-1	724716	8-9	781286	4-7
600361	1-1, 5-9	727008CE	9-3	781294	4-5
600395	4-11	727016CE	9-3	781302	4-11, 7-5, 7-9
600437	4-5	727420CE	9-4	781385	7-5
600893	7-10, 7-11	727438CE	9-4, 9-5	781419CE	9-4
600911	5-5	727453CE	9-4, 9-5	781427CE	9-3
600912	4-11	744276	4-3	781476	3-3
600913	3-3	747741	6-4	781484	3-3
600915	3-3	747782	6-3	781500	3-3
600919	5-11	747832	6-4	781518	3-3
600920	5-5	748756	8-9	781526	3-3
600921	4-3	750414	7-3	781534	3-3
600922	3-3	752386	7-5, 7-9	781542	3-3
600923	4-7	756270	4-5	781567	5-3, 6-7, 7-3, 7-7
600924	4-7	762195	5-11	781575	3-3
600925	4-7	763946	3-3	781583	4-8
600928	5-5	763953	3-3	781591	3-3
600929	1-1, 7-5	765339	4-7	781617	8-9
600961	2-2	766204	7-10, 7-11	781658	3-3
600994	7-7	767464	8-9	781708	7-3, 7-7
601012	1-1, 7-9	767954	2-3, 4-3, 4-7, 4-8,	781716	4-7, 4-8
601013	1-1, 7-9		4-11, 5-3, 5-9, 7-3,	781831	4-5
601017	7-7		7-7, 8-9	781856	4-11, 7-5
601053	5-11	767962	3-3, 5-3, 5-9, 6-7,	781872	4-11
601063	4-3		7-3, 7-5, 7-7, 7-9	781880	2-3, 5-5, 8-9
601069	7-7	768127	4-11	781922	4-7
601089	2-2, 5-11	768333	3-3	782078	6-6
601098	5-11	768341	1-1, 3-3	782086	6-6
601113	7-7	768515	3-3, 4-7, 5-3, 5-9,	782284	6-6
601132	9-3		5-11	782474	7-5, 7-9
601133	3-3	768523	3-3, 4-3, 4-7, 4-8,	782664	5-3
601134	3-3		4-11, 5-3, 5-5, 5-9,	782771	6-4, 6-5
601215	5-5		6-7, 7-5, 7-7, 7-9, 8-9	782979	4-7
601246	9-3	768705	4-11	782995	4-5
601252	3-3	769166	5-11	783001	4-5
601253	5-9	769257	7-5	783738	7-5, 7-9
601289	4-7	770859	6-6	784223	6-3
601290	4-7	771428	4-3	784918	4-11
601296	1-1	771436CE	9-3	785261	1-1
601297	1-1	773416	2-2	785493	2-3
601311	4-11	776310	9-3	785741	5-5
704163	4-7	776476	5-11	785808	5-11

Part No.	Page No.	Part No.	Page No.	Part No.	Page No.
786335	7-5, 7-9	793323	8-9	798405	5-5
786426	9-3	793588	9-3	798413	5-3
786673	5-5	793661	8-9	798470	5-9
787713	5-3	794172	5-3	798520	5-3
788166	7-3, 7-7	794347	5-11	798538	5-3
788794	1-1, 4-11	794446	7-9	798546	5-3, 5-11
789537	6-3	795138	5-5	798553	5-3
789685CE	9-4, 9-5	795781	1-1, 7-9	798561	5-11
789701CE	9-3, 9-4, 9-5	796227	7-10	798579	5-11
789719CE	9-3, 9-4, 9-5	796235X	7-5, 7-9	798694	7-3
789727CE	9-3	796680X	7-9	798850	5-3
789776CE	9-3	796698	7-11	798868	5-9
791251	4-11	796714	7-9	798876	5-5
791269	5-9	796722	7-9	798884	5-5
791400	5-5, 5-9	796854	5-3	798967	7-5, 7-9
791418	5-9	796953	9-5	799171	9-4, 9-5
791608	5-3	797449	7-5	799197	5-9
792002	5-5	797456	8-9	799353	9-4
792051	8-9	797472	8-9	799437	5-9
793265	8-9	797480	8-9	799445	5-9
793273	8-9	797571	8-10	808485	2-2, 5-5, 7-3
793281	8-9	797696	1-1, 7-5	808493	2-2, 7-3
793299	8-10	797910	7-5, 7-9	928101CE	1-1
793307	8-9	798389	5-3	928119CE	1-1
793315	8-9	798397	5-3		